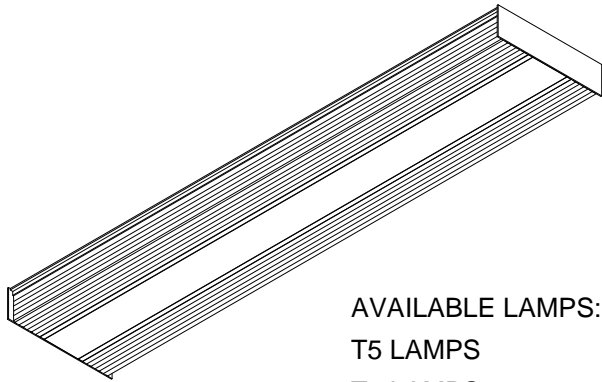




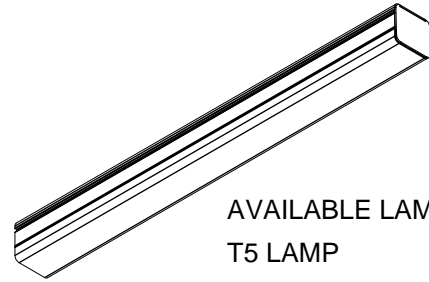
AMBIENT FLUORESCENT SECTION 6

BACK TO
TABLE OF
CONTENTS



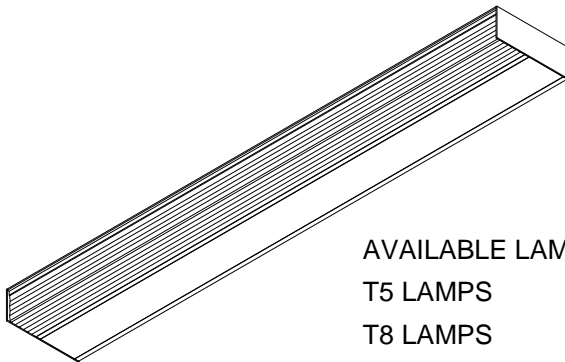
37 Series

AVAILABLE LAMPS:
T5 LAMPS
T8 LAMPS



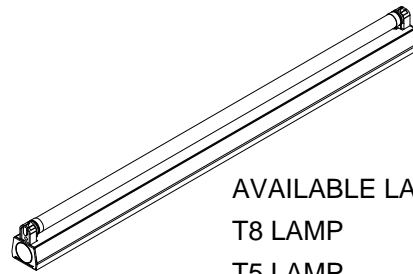
61 Series

AVAILABLE LAMPS:
T5 LAMP



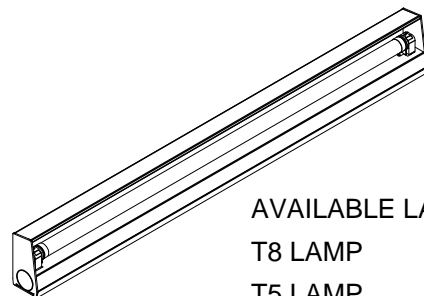
35 Series

AVAILABLE LAMPS:
T5 LAMPS
T8 LAMPS



28 Series

AVAILABLE LAMPS:
T8 LAMP
T5 LAMP
T5HO LAMP

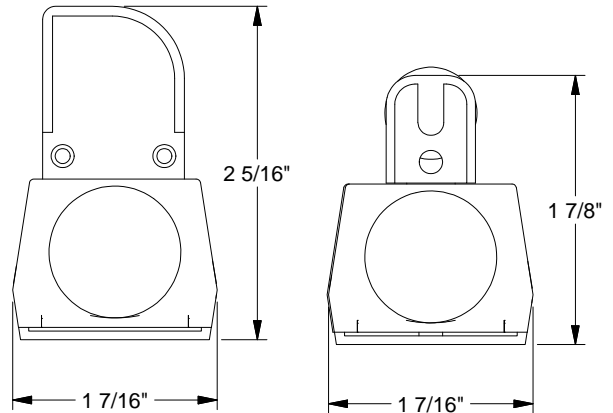
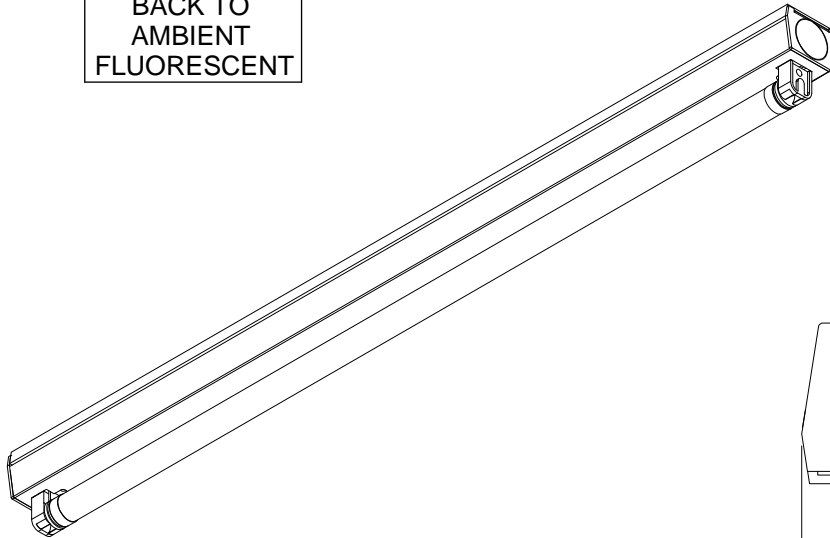


29 Series

AVAILABLE LAMPS:
T8 LAMP
T5 LAMP
T5HO LAMP

Type: _____

BACK TO
AMBIENT
FLUORESCENT



SPECIFICATIONS

- Satin anodized aluminum finish is standard. Custom finishes available upon request.
- All models equipped with integral 120 volt electronic ballasts, 277 may also be available.
- Small cross section allows placement in shallow, space restricted locations.
- Luminaires can be wall or surface mounted or suspended with aircraft cables.
- Robust housing includes extruded 6063T-5 aluminum base & cover with .060 nominal wall thickness.
- All models shipped with spring mounting clips for easy luminaire mounting.
- Available for use with a wide variety of lamp types, see lamp chart for selection.
- Available in hardwired configurations or with cord and switch.
- All hardwired models equipped with #18 GA thru wires and coupler for continuous row installations.
- All hardwired models include threaded end caps, and KO's in the base to allow feeding from ends or back.
- Tube guards available upon request.
- All units are UL & CUL LISTED damp locations.
- The factory will be happy to discuss all of your special requests.

How to build a part number	Product Series	Quantity of lamps	Lamp code	Wiring Options
Part number format	28	2	17T8	1
Choices	28	1 OR 2 Lamps are standard.	See lamp chart for lamp selection & length	1= hardwired w/ through wires 2= w/ cord & switch

**28 Series Luminaire
Lamp/Length Chart**

Lamp Type	Lamp Code (For P/N)	Luminaire Length (includes end caps)	
		1 Lamp	2 Lamp

T8

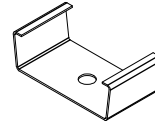
F14T8	14T8	15 3/4"	30 3/4"
F15T8	15T8	18 3/4"	36 3/4"
F17T8	17T8	24 3/4"	48 3/4"
F25T8	25T8	36 3/4"	72 3/4"
F32T8	32T8	48 3/4"	96 3/4"

T5

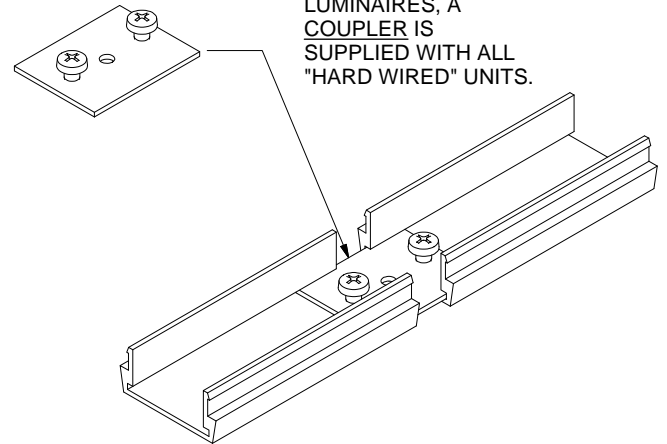
F6T5	6T5	9 3/4"	18 7/8"
F8T5	8T5	12 3/4"	24 7/8"
F13T5	13T5	21 3/4"	42 7/8"
F14T5	14T5	23"	45 7/16"
F21T5	21T5	34 13/16"	69"
F28T5	28T5	46 5/8"	92 5/8"
F35T5	35T5	58 1/2"	116 7/16"

T5 HO

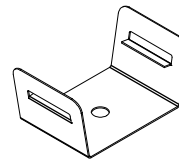
F24T5	24T5	23"	45 7/16"
F39T5	39T5	34 13/16"	69"
F54T5	54T5	46 5/8"	92 5/8"



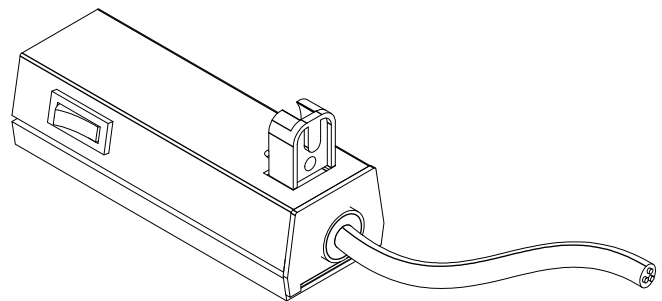
"PERMANENT" TYPE SPRING
STEEL MOUNTING CLIPS
SUPPLIED WITH ALL
"HARD WIRED" UNITS.



FOR END TO END
MOUNTING OF
LUMINAIRES, A
COUPLER IS
SUPPLIED WITH ALL
"HARD WIRED" UNITS.



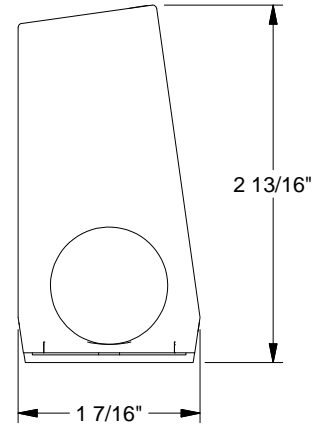
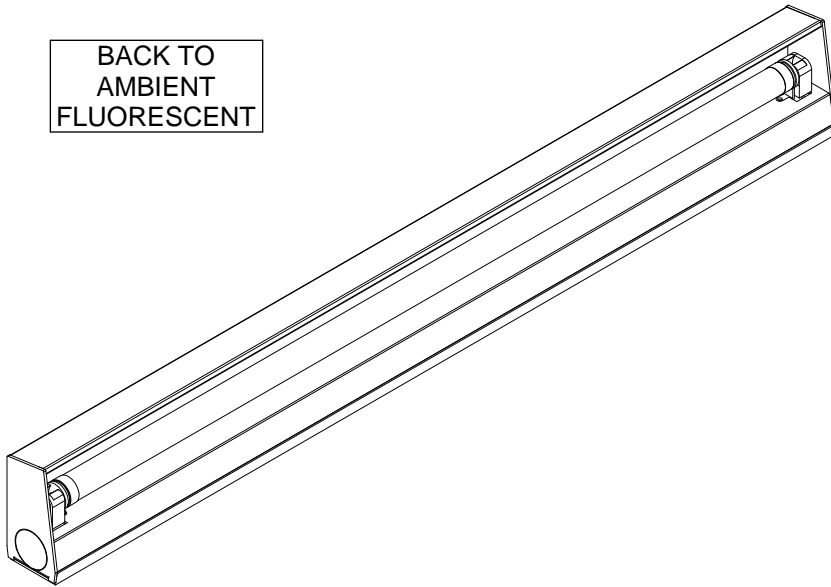
"RELOCATABLE" TYPE
SPRING STEEL
MOUNTING CLIPS
SUPPLIED WITH ALL
"PORTABLE LUMINAIRES"
(CORD ENDED UNITS).



LUMINAIRES ORDERED WITH A SWITCH AND CORD ARE
EQUIPED WITH A MINIATURE ROCKER SWITCH AND A 3
WIRE CORD WITH GROUNDING PLUG.

Type: _____

BACK TO
AMBIENT
FLUORESCENT



SPECIFICATIONS

- Satin anodized aluminum finish is standard. Custom finishes available upon request.
- All models equipped with integral 120 volt electronic ballasts, 277 also available.
- Small cross section allows placement in shallow, space restricted locations.
- Luminaires can be wall or surface mounted or suspended with aircraft cables.
- Robust housing includes extruded 6063T-5 aluminum base & cover with .060 nominal wall thickness, and integral reflector.
- The inside of the reflector has a highly reflective surface.
- All models shipped with spring mounting clips for easy luminaire mounting.
- Available for use with a wide variety of lamp types, see lamp chart for selection.
- Available in hardwired configurations or with cord and switch.
- All hardwired models equipped with #18 GA thru wires and coupler for continuous row installations.
- All hardwired models include threaded end caps, and KO's in the base to allow feeding from ends or back.
- Tube guards for T5, or lamp shields for T8, available upon request.
- All units are UL & CUL LISTED damp locations.
- The factory will be happy to discuss all of your special requests.

How to build a part number	Product Series	Quantity of lamps	Lamp code	Wiring Options
Part number format	29	2	17T8	1
Choices	29	1 OR 2 Lamps are standard.	See lamp chart for lamp selection & length	1= hardwired w/ through wires 2= w/ cord & switch



**29 Series Luminaire
Lamp/Length Chart**

Lamp Type	Lamp Code (For P/N)	Luminaire Length (includes end caps)	
		1 Lamp	2 Lamp

T8

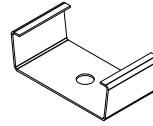
F14T8	14T8	15 3/4"	30 3/4"
F15T8	15T8	18 3/4"	36 3/4"
F17T8	17T8	24 3/4"	48 3/4"
F25T8	25T8	36 3/4"	72 3/4"
F32T8	32T8	48 3/4"	96 3/4"

T5

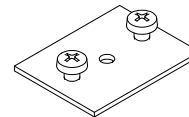
F6T5	6T5	9 3/4"	18 7/8"
F8T5	8T5	12 3/4"	24 7/8"
F13T5	13T5	21 3/4"	42 7/8"
F14T5	14T5	23"	45 7/16"
F21T5	21T5	34 13/16"	69"
F28T5	28T5	46 5/8"	92 5/8"
F35T5	35T5	58 1/2"	116 7/16"

T5 HO

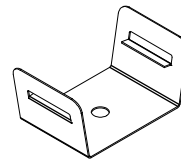
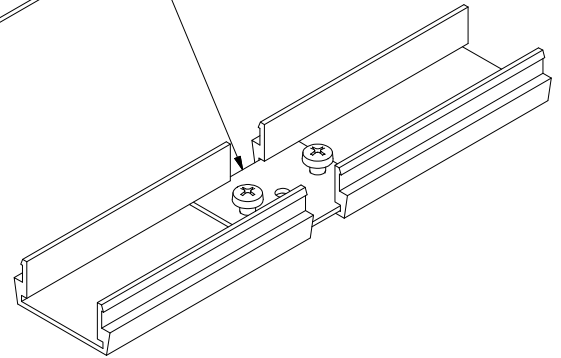
F24T5	24T5	23"	45 7/16"
F39T5	39T5	34 13/16"	69"
F54T5	54T5	46 5/8"	92 5/8"



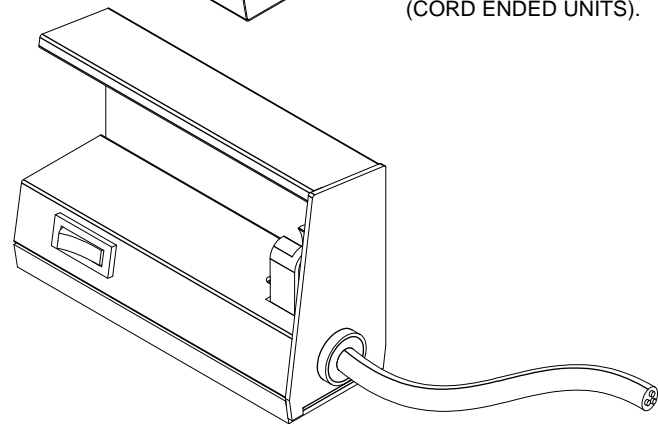
"PERMANENT" TYPE SPRING STEEL MOUNTING CLIPS SUPPLIED WITH ALL "HARD WIRED" UNITS.



FOR END TO END MOUNTING OF LUMINAIRES, A COUPLER IS SUPPLIED WITH ALL "HARD WIRED" UNITS.



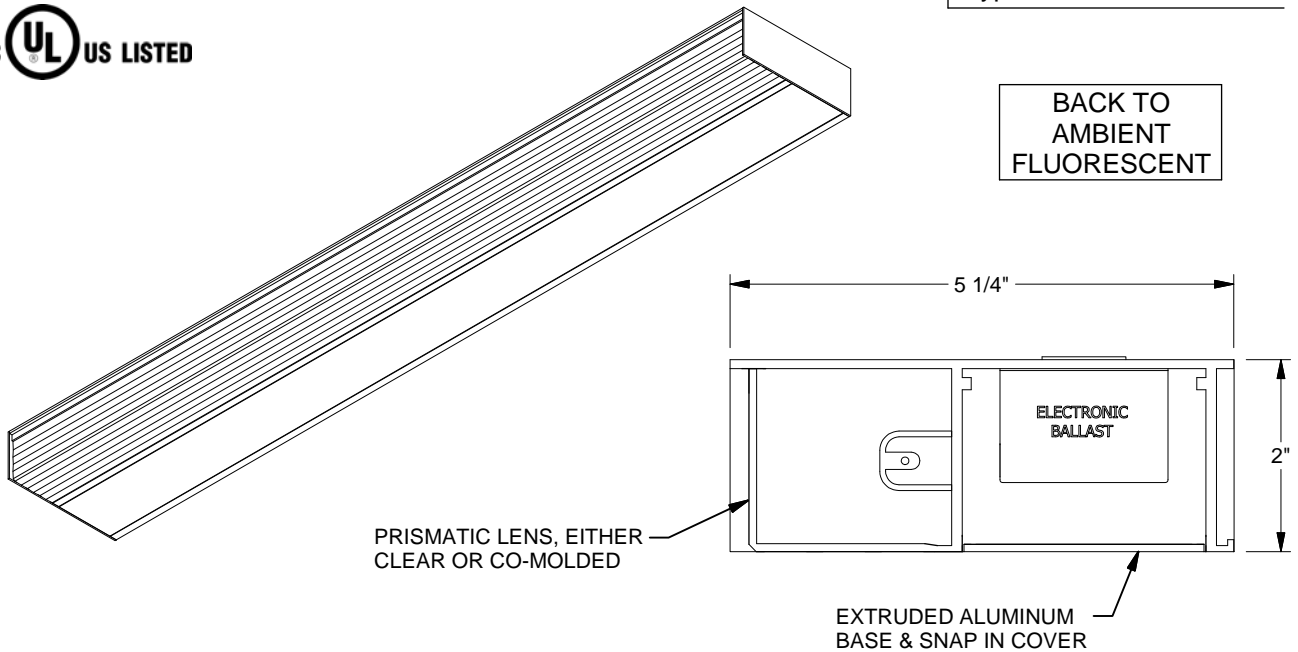
"RELOCATABLE" TYPE SPRING STEEL MOUNTING CLIPS SUPPLIED WITH ALL "PORTABLE LUMINAIRES" (CORD ENDED UNITS).



LUMINAIRES ORDERED WITH A SWITCH AND CORD ARE EQUIPPED WITH A MINIATURE ROCKER SWITCH AND A 3 WIRE CORD WITH GROUNDING PLUG.



Type: _____



SPECIFICATIONS

- Satin anodized aluminum finish is standard. Custom finishes available upon request.
 - High impact prismatic, die formed, Polycarbonate lenses are standard.
 - Low 2" profile allows placement in shallow locations.
 - Luminaires can be wall or surface mounted.
 - Robust housing includes extruded 6063T-5 aluminum base & cover with .060 nominal wall thickness.
 - Fixtures may be mounted individually or in continuous rows. Feed end caps are available, order separately.
 - Fixtures are shipped with blank end caps, for continuous row mounting, simply remove end caps where luminaires meet, and use the internal coupler (provided) to make a seamless link.
 - Available for use with a variety of T5 lamp types. See chart for selection and lengths.
 - All hardwired models include KO's in the base to allow feeding from the back.
 - All units are UL & CUL LISTED damp locations.
 - The factory will be happy to discuss all of your special requests.
- * If ordered with lamps, 4100°K color temperature is standard, other lamp colors may be available.

How to build a part number	Product Series	Quantity of T5 lamps	Lamp watts	Ballast voltage	Standard options Suffix part # as required in the sequence below
----------------------------	----------------	----------------------	------------	-----------------	---

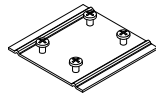
Part number format	35	1	14T5	9	
--------------------	-----------	----------	-------------	----------	--

Choices	35	See lamp chart for luminaire lengths. 1 or 2 lamps std.	14T5 21T5 28T5 35T5	0 = 120 7 = 277 9 = 120/277*	-WC (6') White 3-wire cord & plug (18ga. SVT) -GC (6') Gray 3-wire cord & plug (18ga. SVT) -F Factory wired fuse (3A) -GCO Factory wired Grounded Convenience Outlet -SW Factory wired rocker switch
---------	----	---	------------------------------	------------------------------------	--

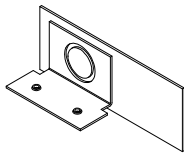
* Not available for all lamps

Type: _____

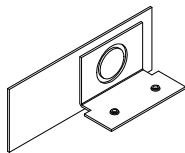
Accessories and Replacement Parts



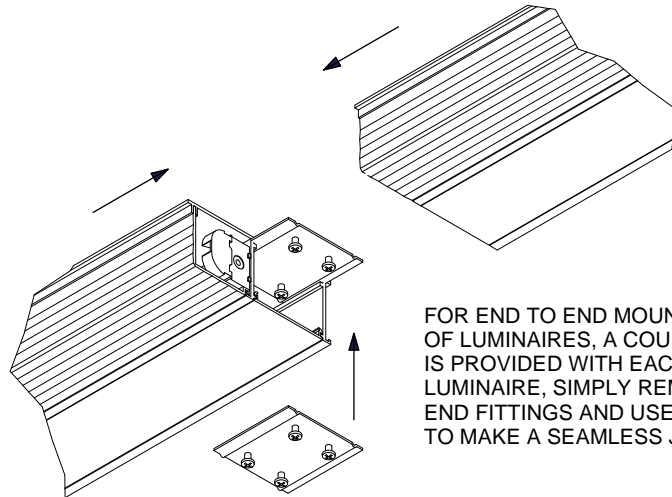
33043 Internal Coupler



35010R Right Feed End

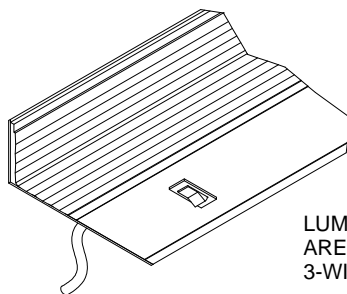


35010L Left Feed End

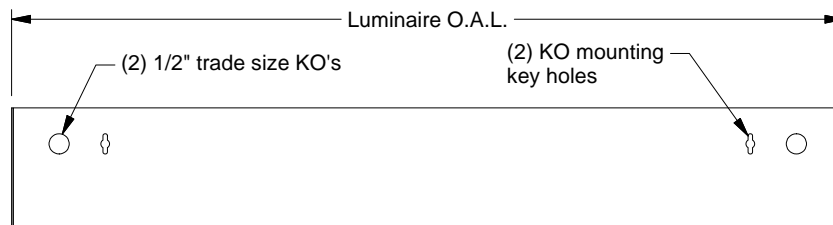


FOR END TO END MOUNTING OF LUMINAIRES, A COUPLER IS PROVIDED WITH EACH LUMINAIRE, SIMPLY REMOVE END FITTINGS AND USE COUPLER TO MAKE A SEAMLESS JOINT.

Lamp type	Luminaire O.A.L. (includes end caps)	
	1 LAMP	2 LAMPS
F14T5	22 5/8"	45"
F21T5	34 7/16"	68 5/8"
F28T5	46 1/4"	92 1/4"
F35T5	58 1/8"	116"

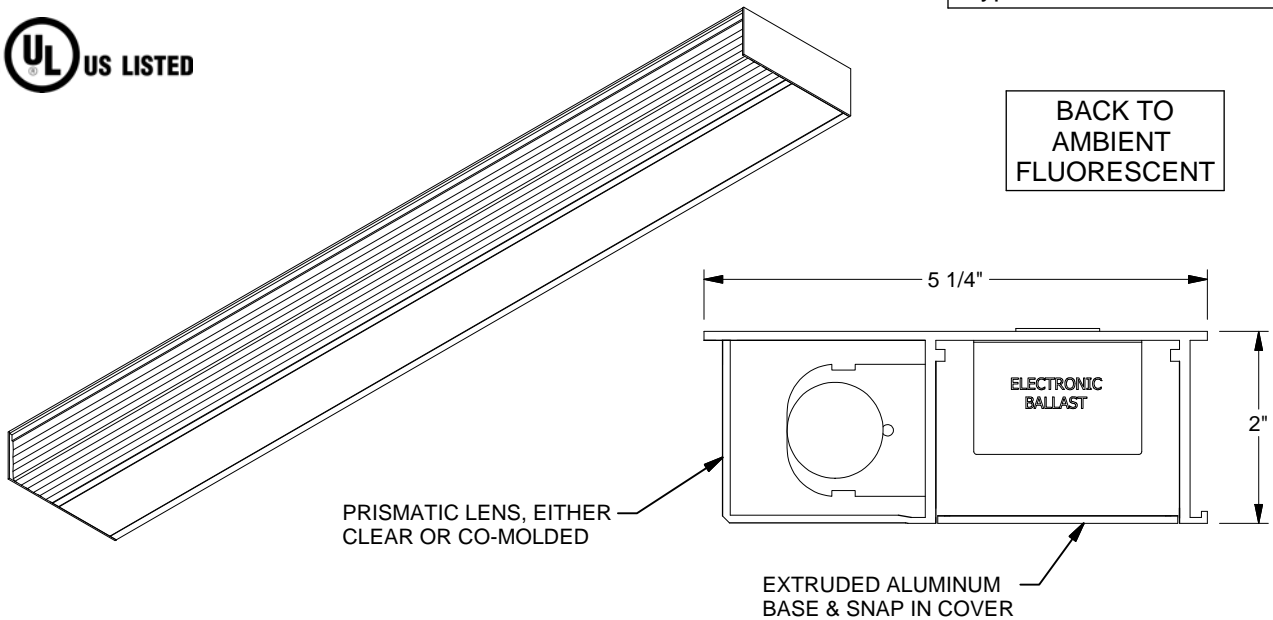


LUMINAIRES ORDERED WITH A SWITCH AND CORD ARE EQUIPPED WITH A ROCKER SWITCH AND A 3-WIRE CORD WITH A GROUNDING PLUG



TOP VIEW OF LUMINAIRE

Type: _____



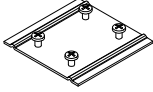
SPECIFICATIONS

- Satin anodized aluminum finish is standard. Custom finishes available upon request.
 - High impact prismatic, die formed, Polycarbonate lenses are standard.
 - Low 2" profile allows placement in shallow locations.
 - Luminaires can be wall or surface mounted.
 - Robust housing includes extruded 6063T-5 aluminum base & cover with .060 nominal wall thickness.
 - Fixtures may be mounted individually or in continuous rows. Feed end caps are available, order separately.
 - Fixtures are shipped with blank end caps, for continuous row mounting, simply remove end caps where luminaires meet, and use the internal coupler (provided) to make a seamless link.
 - Available for use with a variety of T8 lamp types. See chart for selection and lengths.
 - All hardwired models include KO's in the base to allow feeding from the back.
 - All units are UL & CUL LISTED damp locations.
 - The factory will be happy to discuss all of your special requests.
- * If ordered with lamps, 4100°K color temperature is standard, other lamp colors may be available.

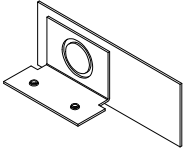
How to build a part number	Product Series	Quantity of T8 lamps	Lamp watts	Ballast voltage	Standard options Suffix part # as required in the sequence below
Part number format	35	1	17	0	
Choices	35	See lamp chart for luminaire lengths. 1 or 2 lamps std.	17 25 32	0 = 120 7 = 277 9 = 120/277	-WC (6') White 3-wire cord & plug (18ga. SVT) -GC (6') Gray 3-wire cord & plug (18ga. SVT) -F Factory wired fuse (3A) -GCO Factory wired Grounded Convenience Outlet -SW Factory wired rocker switch

Type: _____

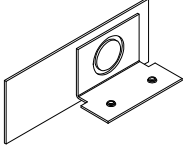
Accessories and Replacement Parts



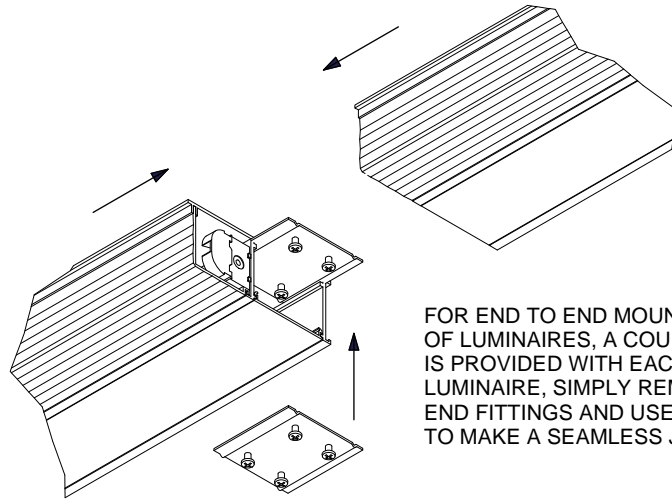
33043 Internal Coupler



35010R Right Feed End

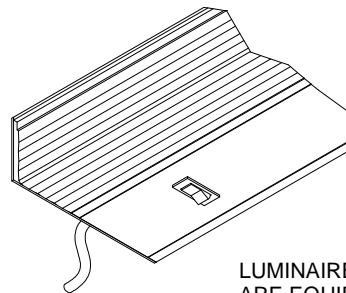


35010L Left Feed End

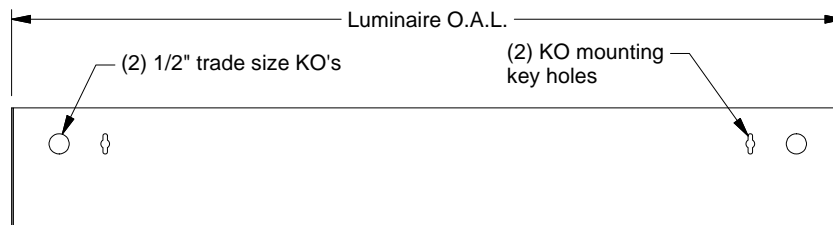


FOR END TO END MOUNTING OF LUMINAIRES, A COUPLER IS PROVIDED WITH EACH LUMINAIRE, SIMPLY REMOVE END FITTINGS AND USE COUPLER TO MAKE A SEAMLESS JOINT.

Lamp type	Luminaire O.A.L. (includes end caps)	
	1 LAMP	2 LAMPS
F17T8	24 1/8"	48 1/8"
F25T8	36 1/8"	72 1/8"
F32T8	48 1/8"	96 1/8"



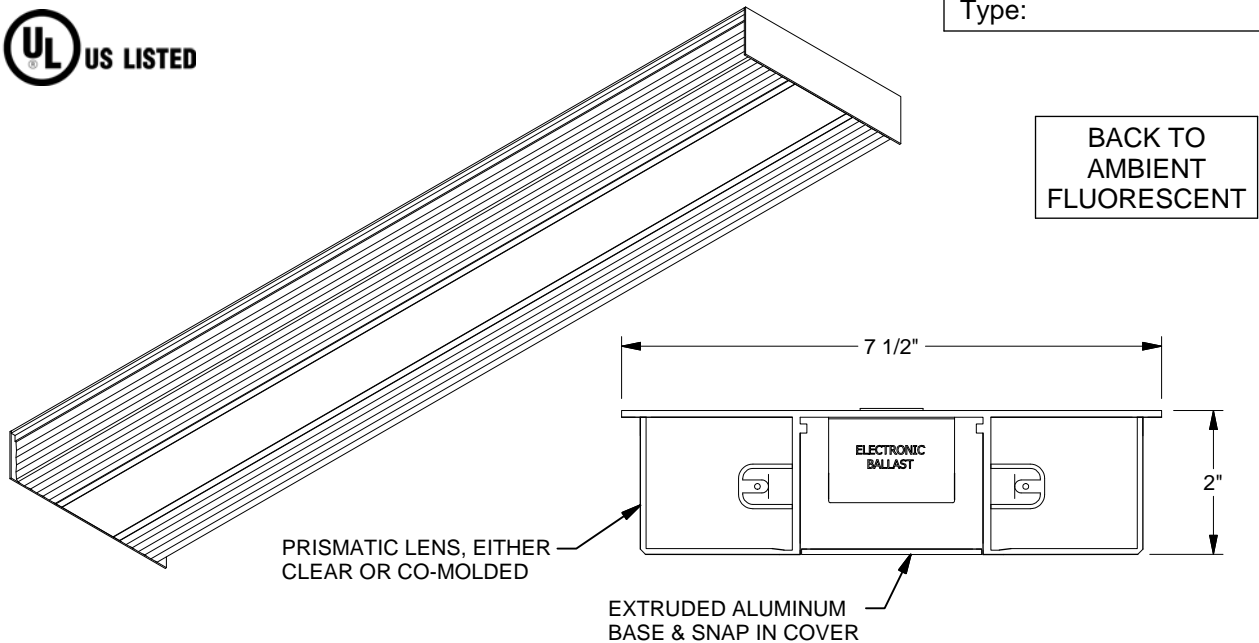
LUMINAIRES ORDERED WITH A SWITCH AND CORD ARE EQUIPPED WITH A ROCKER SWITCH AND A 3 WIRE CORD WITH A GROUNDING PLUG



BOTTOM VIEW OF LUMINAIRE



Type: _____



SPECIFICATIONS

- Satin anodized aluminum finish is standard. Custom finishes available upon request.
 - High impact prismatic, die formed, Polycarbonate lenses are standard.
 - Low 2" profile allows placement in shallow locations.
 - Luminaires can be wall or surface mounted.
 - Robust housing includes extruded 6063T-5 aluminum base & cover with .060 nominal wall thickness.
 - Fixtures may be mounted individually or in continuous rows. Feed end caps are available, order separately.
 - Fixtures are shipped with blank end caps, for continuous row mounting, simply remove end caps where luminaires meet, and use the internal coupler (provided) to make a seamless link.
 - Available for use with a variety of T5 lamp types. See chart for selection and lengths.
 - All hardwired models include KO's in the base to allow feeding from the back.
 - All units are UL & CUL LISTED damp locations.
 - The factory will be happy to discuss all of your special requests.
- * If ordered with lamps, 4100°K color temperature is standard, other lamp colors may be available.

How to build a part number	Product Series	Quantity of T8 lamps	Lamp watts	Ballast voltage	Standard options Suffix part # as required in the sequence below
----------------------------	----------------	----------------------	------------	-----------------	---

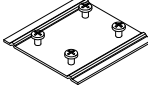
Part number format	37	2	14T5	9	
--------------------	-----------	----------	-------------	----------	--

Choices	37	See lamp chart for luminaire lengths. 2 or 4 lamps std.	14T5 21T5 28T5 35T5	0 = 120 7 = 277 9 = 120/277*	-WC (6') White 3-wire cord & plug (18ga. SVT) -GC (6') Gray 3-wire cord & plug (18ga. SVT) -F Factory wired fuse (3A) -GCO Factory wired Grounded Convenience Outlet -SW Factory wired rocker switch
---------	----	---	------------------------------	------------------------------------	--

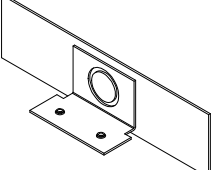
* Not available for all lamps

Type: _____

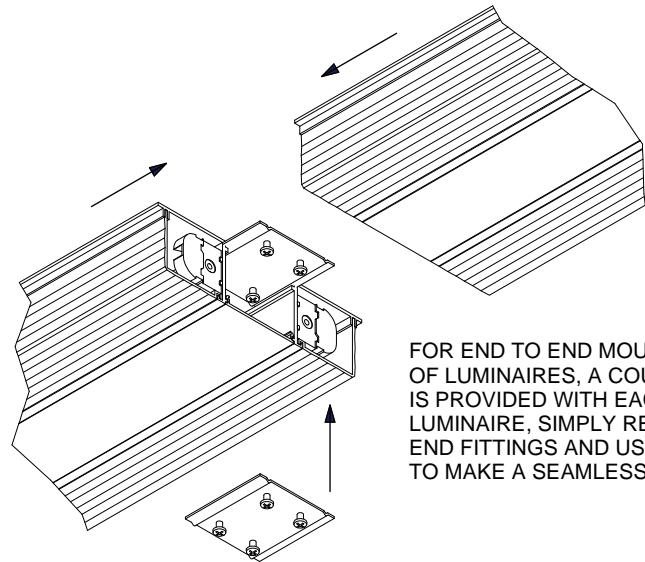
Accessories and Replacement Parts



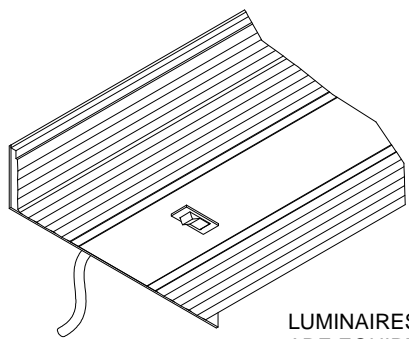
33043 Internal Coupler



37010 Feed End Cap

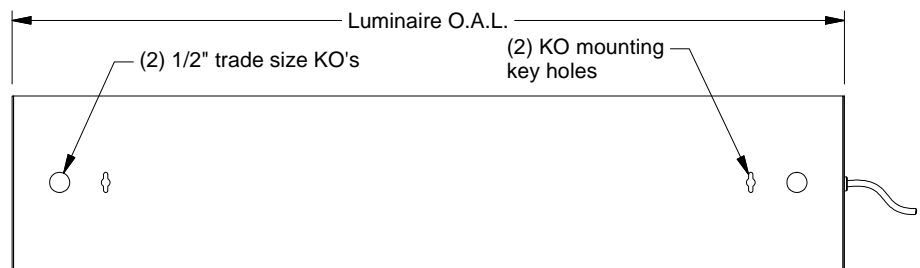


FOR END TO END MOUNTING OF LUMINAIRES, A COUPLER IS PROVIDED WITH EACH LUMINAIRE, SIMPLY REMOVE END FITTINGS AND USE COUPLER TO MAKE A SEAMLESS JOINT.



LUMINAIRES ORDERED WITH A SWITCH AND CORD ARE EQUIPPED WITH A ROCKER SWITCH AND A 3 WIRE CORD WITH A GROUNDING PLUG

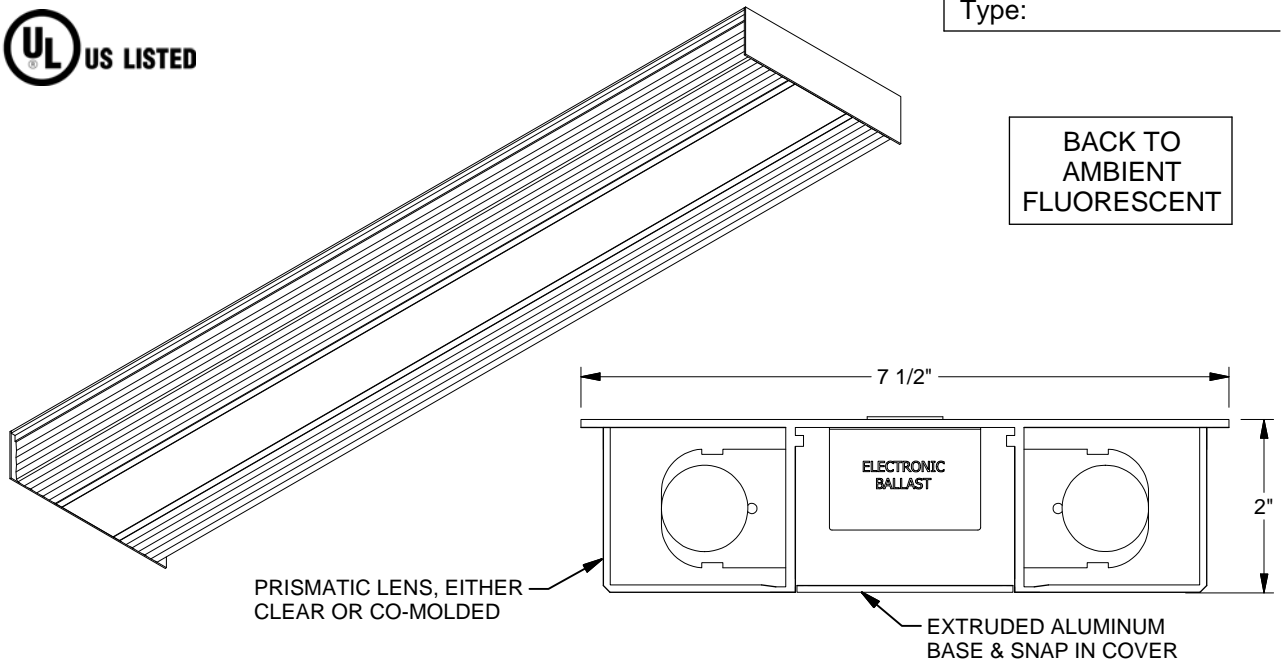
Lamp type	Luminaire O.A.L. (includes end caps)	
	2 LAMP	4 LAMPS
F14T5	22 5/8"	45"
F21T5	34 7/16"	68 5/8"
F28T5	46 1/4"	92 1/4"
F35T5	58 1/8"	116"



TOP VIEW OF LUMINAIRE



Type: _____



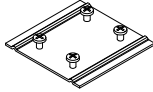
SPECIFICATIONS

- Satin anodized aluminum finish is standard. Custom finishes available upon request.
 - High impact prismatic, die formed, Polycarbonate lenses are standard.
 - Low 2" profile allows placement in shallow locations.
 - Luminaires can be wall or surface mounted.
 - Robust housing includes extruded 6063T-5 aluminum base & cover with .060 nominal wall thickness.
 - Fixtures may be mounted individually or in continuous rows. Feed end caps are available, order separately.
 - Fixtures are shipped with blank end caps, for continuous row mounting, simply remove end caps where luminaires meet, and use the internal coupler (provided) to make a seamless link.
 - Available for use with a variety of T8 lamp types. See chart for selection and lengths.
 - All hardwired models include KO's in the base to allow feeding from the back.
 - All units are UL & CUL LISTED damp locations.
 - The factory will be happy to discuss all of your special requests.
- * If ordered with lamps, 4100°K color temperature is standard, other lamp colors may be available.

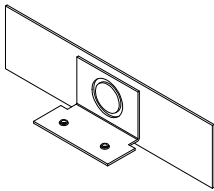
How to build a part number	Product Series	Quantity of T8 lamps	Lamp watts	Ballast voltage	Standard options Suffix part # as required in the sequence below
Part number format	37	2	17	0	
Choices	37	See lamp chart for luminaire lengths. 2 or 4 lamps std.	17 25 32	0 = 120 7 = 277 9 = 120/277	-WC (6') White 3-wire cord & plug (18ga. SVT) -GC (6') Gray 3-wire cord & plug (18ga. SVT) -F Factory wired fuse (3A) -GCO Factory wired Grounded Convenience Outlet -SW Factory wired rocker switch

Type: _____

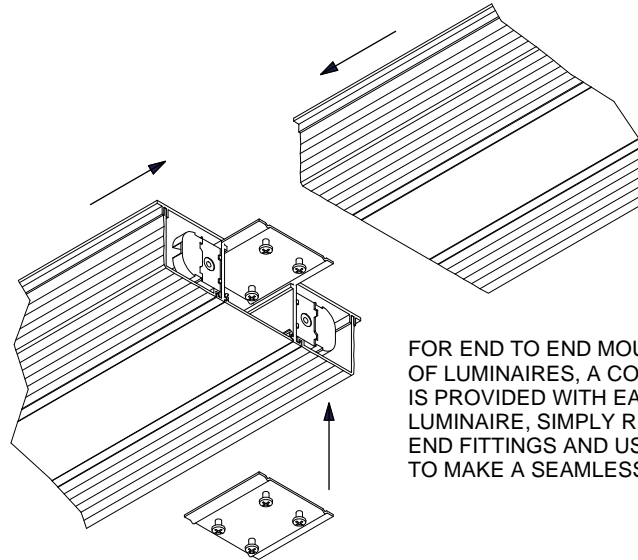
Accessories and Replacement Parts



33043 Internal Coupler

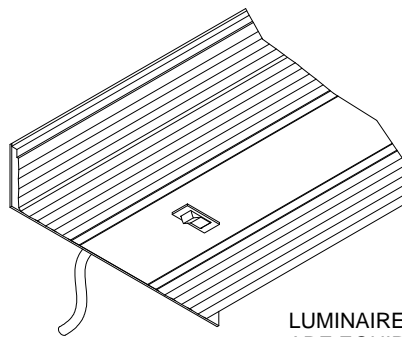


37010 Feed End Cap

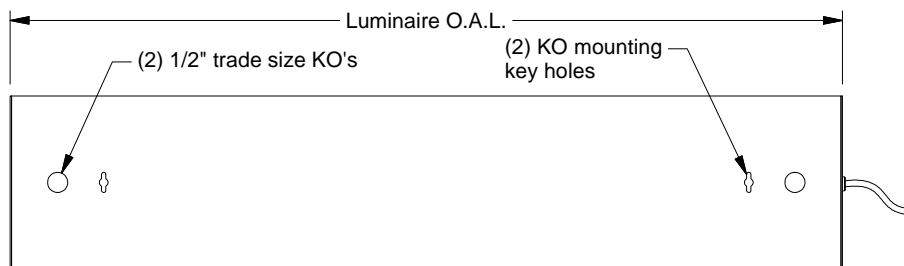


FOR END TO END MOUNTING OF LUMINAIRES, A COUPLER IS PROVIDED WITH EACH LUMINAIRE, SIMPLY REMOVE END FITTINGS AND USE COUPLER TO MAKE A SEAMLESS JOINT.

Lamp type	Luminaire O.A.L. (includes end caps)	
	2 LAMP	4 LAMPS
F17T8	24 1/8"	48 1/8"
F25T8	36 1/8"	72 1/8"
F32T8	48 1/8"	96 1/8"



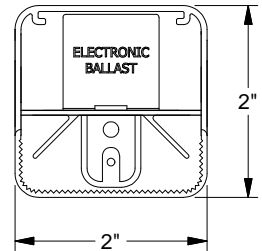
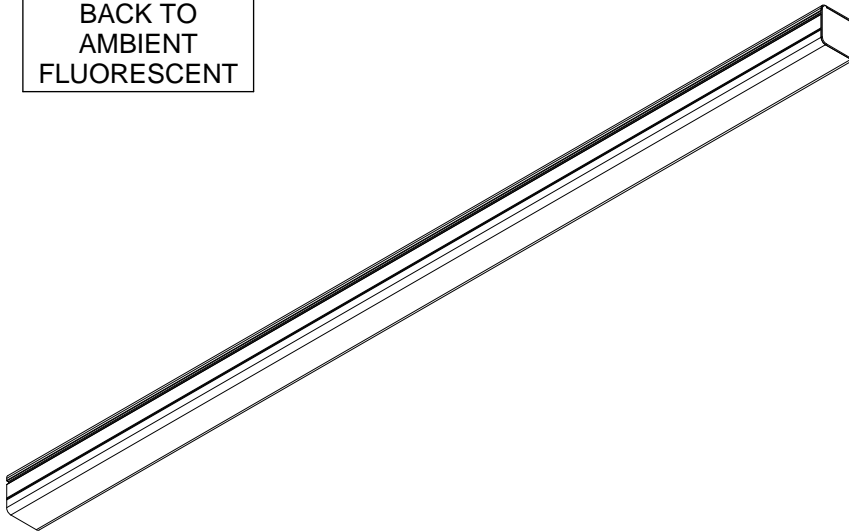
LUMINAIRES ORDERED WITH A SWITCH AND CORD ARE EQUIPPED WITH A ROCKER SWITCH AND A 3 WIRE CORD WITH A GROUNDING PLUG



TOP VIEW OF LUMINAIRE

Type: _____

BACK TO
AMBIENT
FLUORESCENT



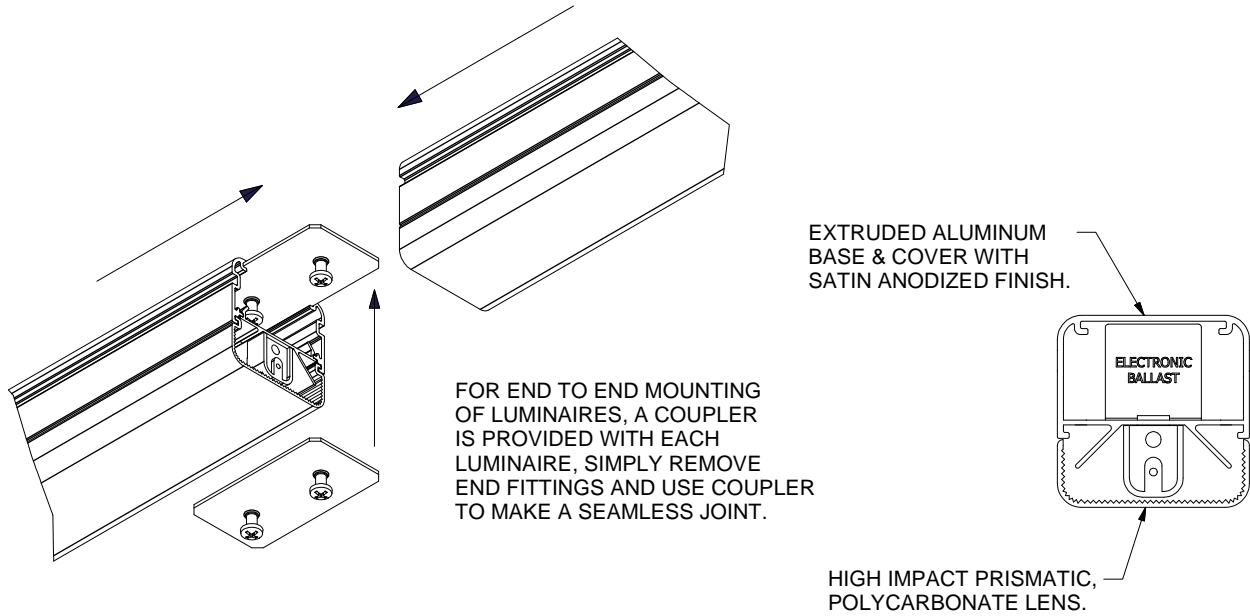
SPECIFICATIONS

- Satin anodized aluminum finish is standard. Custom finishes available upon request.
 - High impact prismatic, die formed, clear Polycarbonate lenses are standard.
 - Standard models equipped with integral 120 volt electronic ballasts.
 - Low 2" profile allows placement in shallow locations.
 - Luminaires can be wall or surface mounted or suspended with aircraft cables.
 - Robust housing includes extruded 6063T-5 aluminum base & cover with .050 nominal wall thickness.
 - Die formed end caps with no visible fasteners.
 - Fixtures are shipped with blank end caps, for continuous row mounting, simply remove end caps where luminaires meet, and use the internal coupler (provided) to make a seamless link.
 - Available for use with a wide variety of T5 lamp types. See chart for selection and lengths.
 - Available in hardwired configurations or with cord, hardwired models include KO's in the base to allow feeding from the back.
 - All units are UL & CUL LISTED damp locations.
 - The factory will be happy to discuss all of your special requests.
- * If ordered with lamps, 4100K color temperature is standard, other lamp colors may be available.

How to build a part number	Product Series	Quantity of T5 lamps	Lamp code	Finish	Standard options Suffix part # as required in the sequence below
----------------------------	----------------	----------------------	-----------	--------	---

Part number format	61	1	28T5	0	
--------------------	----	---	------	---	--

Choices	61	See lamp chart for luminaire lengths. 1 or 2 lamps are standard.	6T5 8T5 13T5 14T5 21T5 21T5 28T5 35T5	0= Satin	WC (6') White 3-wire cord & plug (18ga. SVT) GC (6') Gray 3-wire cord & plug (18ga. SVT) F Factory wired fuse (3A) 277 277 Volt electronic ballast
---------	----	--	--	----------	---



61 Series T5 Luminaire Length Chart

Lamp Quantity	Lamp Type	Luminaire Length (Includes end caps)
1	F6T5	9-1/4"
	F8T5	12-1/4"
	F13T5	21-1/4"
	F14T5	22-1/2"
	F21T5	34-5/16"
	F28T5	46-1/8"
	F35T5	58"
2	F6T5	18-3/8"
	F8T5	24-3/8"
	F13T5	42-3/8"
	F14T5	44-7/8"
	F21T5	68-1/2"
	F28T5	92-1/8"
	F35T5	115-7/8"

