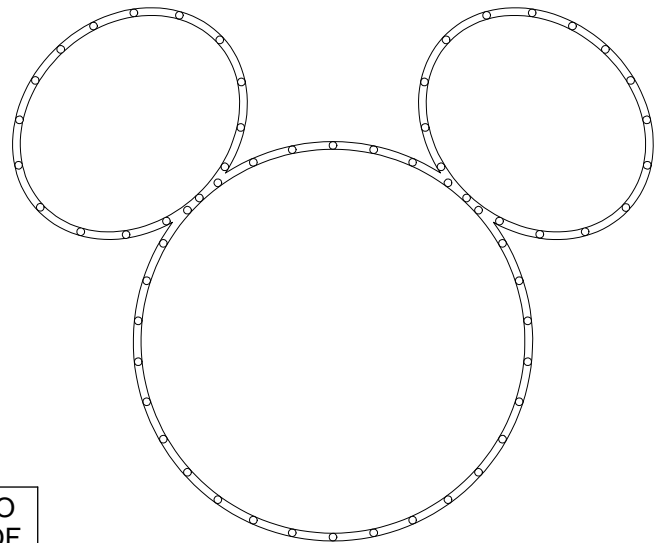
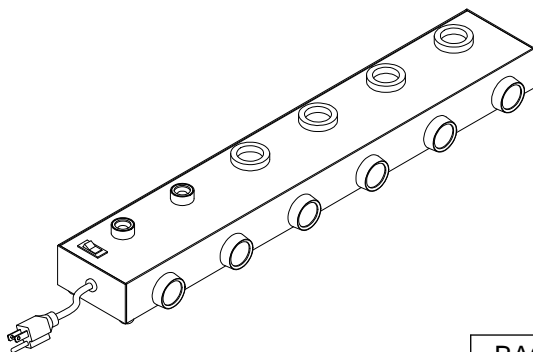


*Architects, designers and lighting engineers who know us, know the lengths we will go to develop lighting true to their vision. Custom lighting is our specialty, and we want to bring your creative lighting ideas to life! Indoor or out. Incandescent or fluorescent. Modular or continuous. We have a talented staff that can work with your ideas and develop the luminaire that matches what you've been looking for. Most of the lighting we manufacture is made of non-corrosive extruded aluminum which provides design flexibility and guaranteed durability. And because our sheet metal shop is fully equipped for custom fabrication and tooling, we can simply modify our standard product, or custom fabricate out of most any kind of material, all in house.*

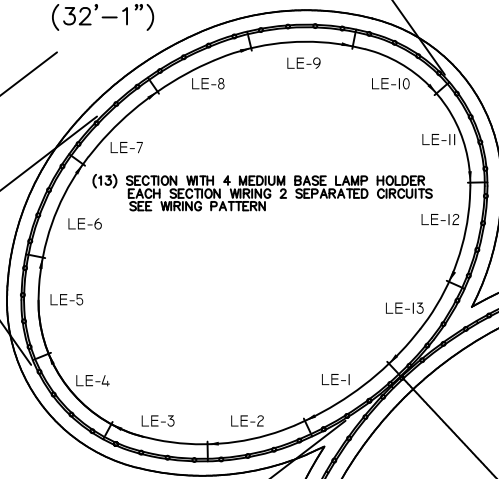


BACK TO  
TABLE OF  
CONTENTS

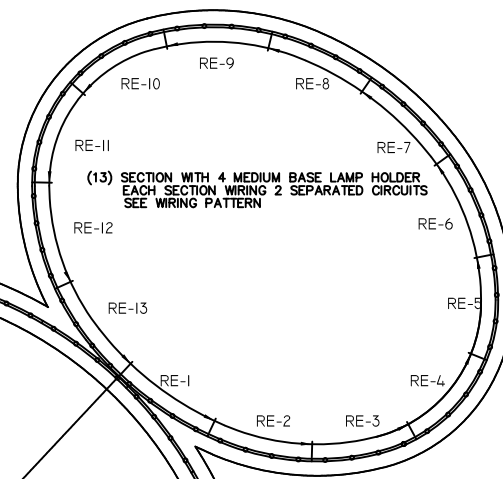
*Airey-Thompson prides itself on the ability to re-think old concepts and develop new ones utilizing customer input. We consider ourselves team players and develop our products around demands from the field to make them just what our customer wants. We welcome lighting challenges, as well as your inquiries. Call today to discuss your special requirements.*

(32'-1")

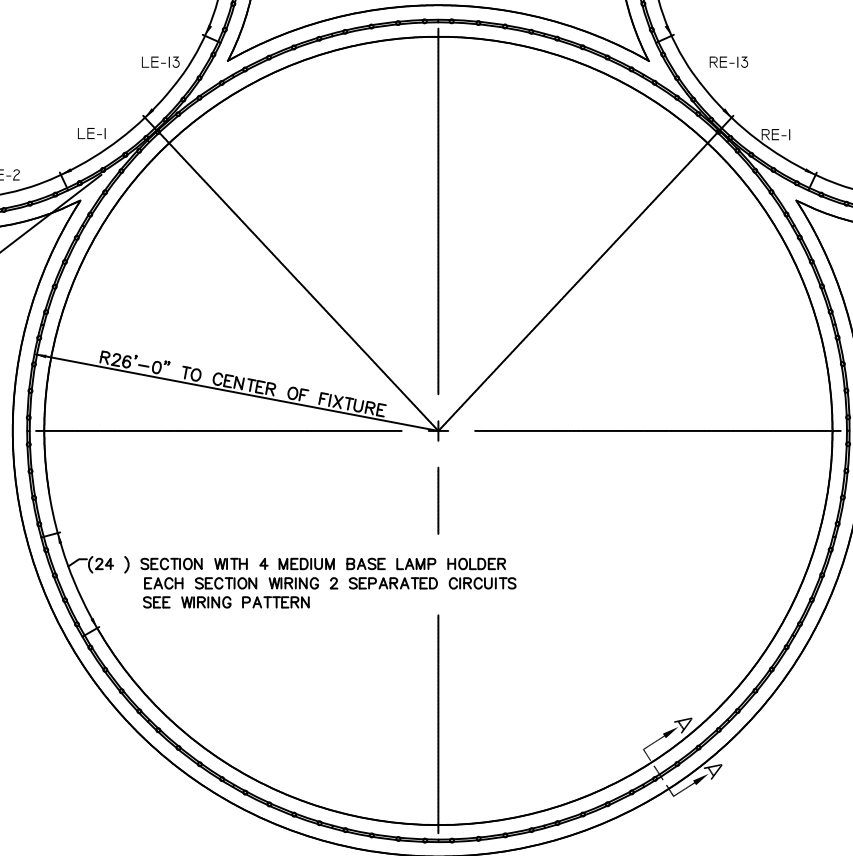
(27'-5")



(13) SECTION WITH 4 MEDIUM BASE LAMP HOLDER  
EACH SECTION WIRING 2 SEPARATED CIRCUITS  
SEE WIRING PATTERN

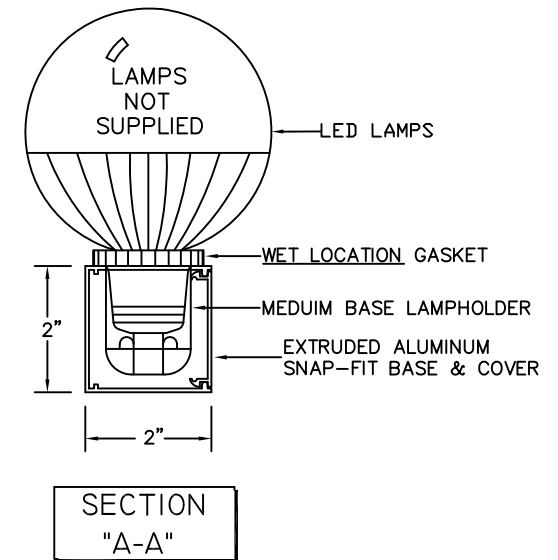


(13) SECTION WITH 4 MEDIUM BASE LAMP HOLDER  
EACH SECTION WIRING 2 SEPARATED CIRCUITS  
SEE WIRING PATTERN



(24 ) SECTION WITH 4 MEDIUM BASE LAMP HOLDER  
EACH SECTION WIRING 2 SEPARATED CIRCUITS  
SEE WIRING PATTERN

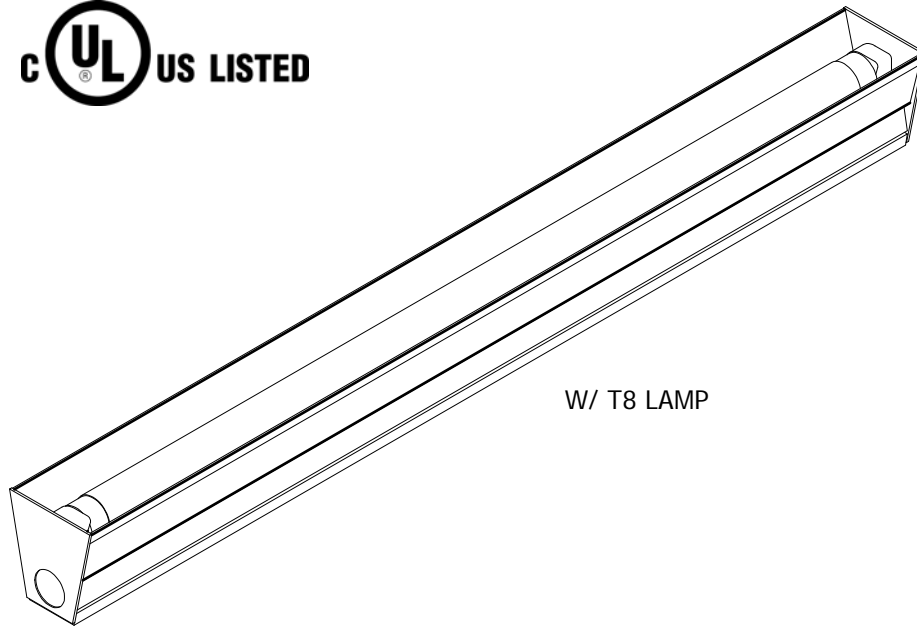
R26'-0" TO CENTER OF FIXTURE



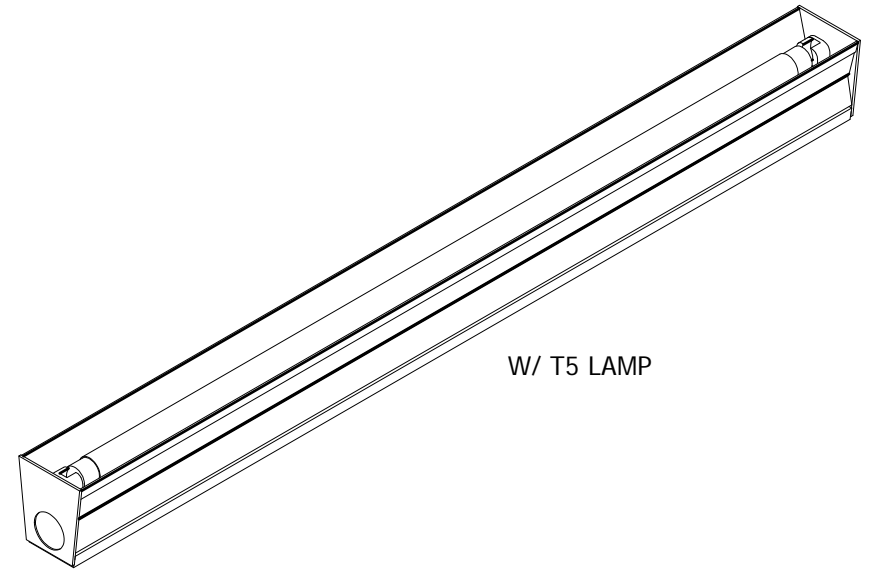
UL & CUL LISTED WET LOCATIONS.

 **AIREY-THOMPSON™**  
www.airey-thompson.com  
5310 N. Irwindale Ave.  
Irwindale CA 90706  
Tel. 800-421-6196

DESCRIPTION: SL-2+2 SERIES SPECIAL CAD FILE: CATALOG 7079D000		
DWG. BY: T.L.	DATE:	SCALE: NONE
MATERIAL: SEE NOTES		FINISH: POLISHED GOLD



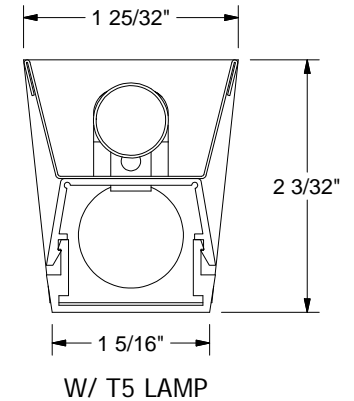
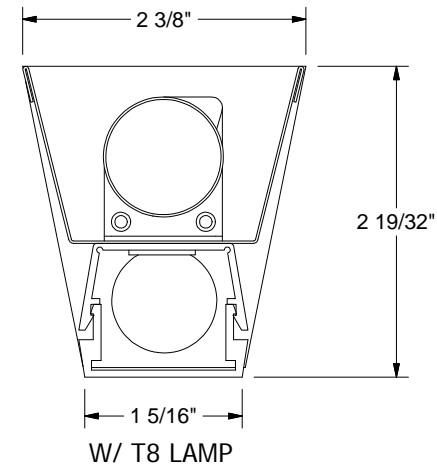
W/ T8 LAMP




W/ T5 LAMP

## SPECIFICATIONS

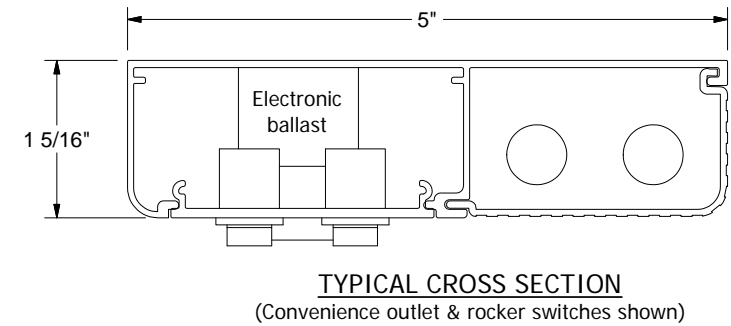
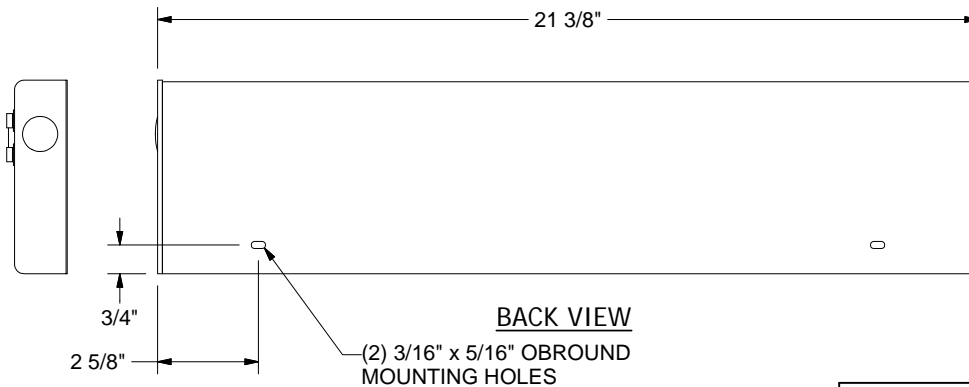
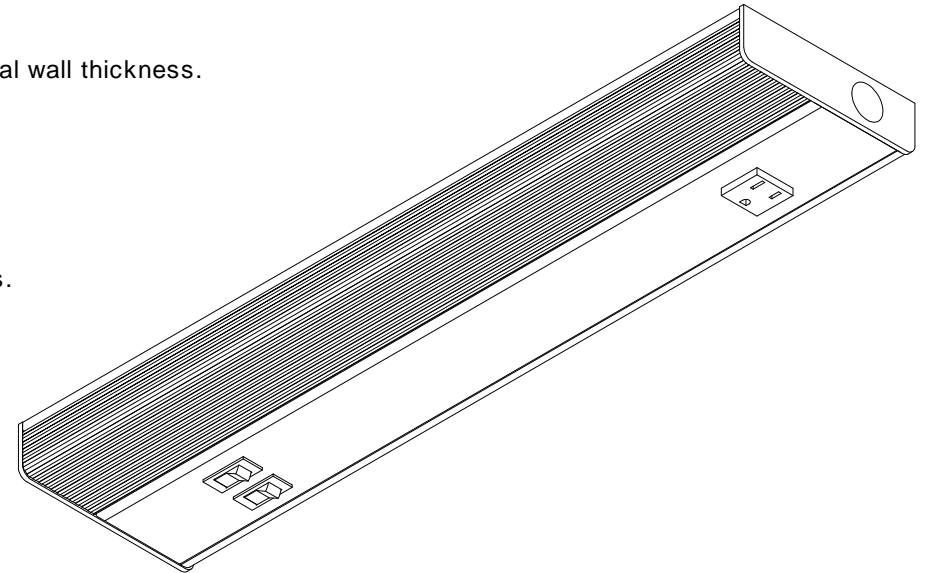
- \* All models equipped with integral 120 volt electronic ballasts.
- \* Small cross section allows placement in tough, space restricted locations.
- \* Robust housing includes extruded 6063T-5 aluminum base and cover.
- \* Satin anodized aluminum finish is standard, custom finishes available upon request.
- \* All models shipped with spring mounting clips for easy Luminaire mounting.
- \* Reflector, .020 thick specular material.
- \* Available for use with a wide variety of lamp types.
- \* Available in hardwired configurations or with cord and switch.
- \* All hardwired models equipped with #14 Ga thru wires & coupler for continuous row installations.
- \* All hardwired models include threaded end caps, and KO's in the base to allow feeding from ends or back.
- \* Tube guards available upon request.
- \* The factory will be happy to discuss all of your special requests.
- \* Fixture is UL & CUL LISTED damp location.




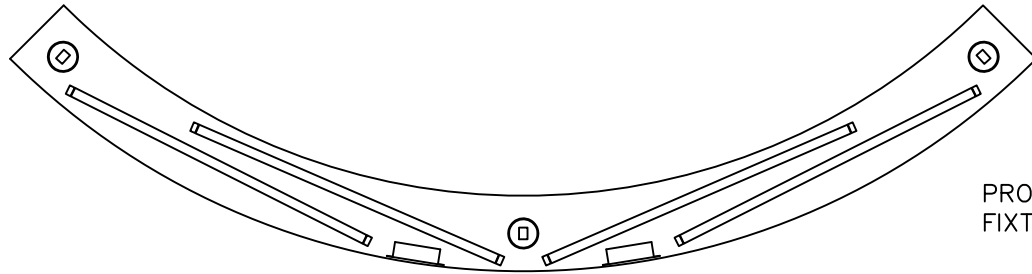
 <p>5310 N. Irwindale Ave. Irwindale CA 91706 Tel. No's. 626-960-3355 800-421-6196 Fax no. 626-960-3525</p>	DESCRIPTION:			
	28 SERIES, T8 & T5 LAMPS WITH CUSTOM SYMMETRICAL SPECULAR REFLECTOR			
	DRAWN BY:	DATE:	CAD FILE:	SCALE:
V.M.		CATALOG Q10661	NONE	
MATERIAL:			FINISH:	
SEE SPEC's			SEE SPEC's	

# SPECIFICATIONS

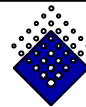
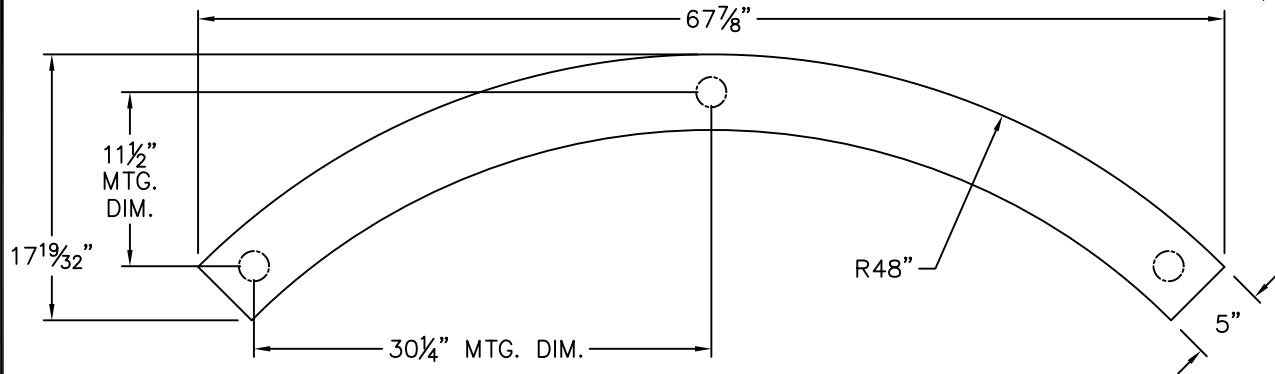
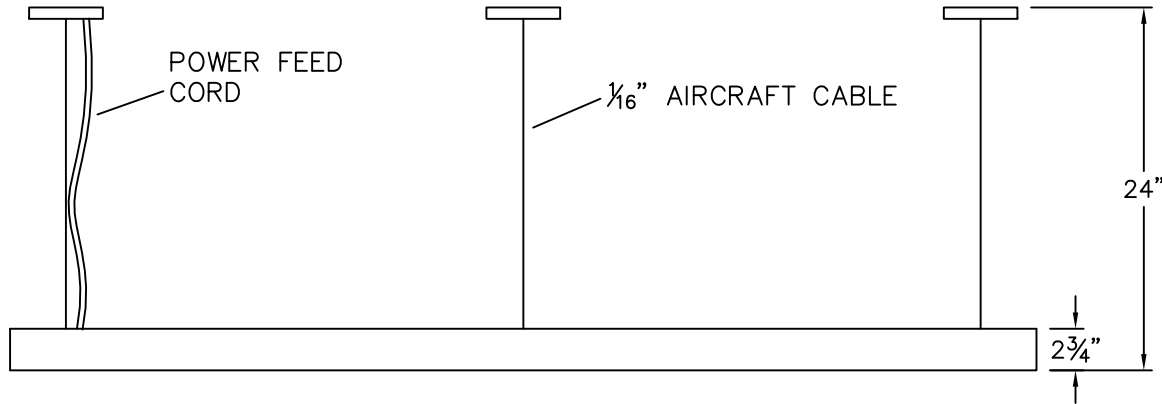
- \* White powder coat or satin anodized aluminum finish is standard. Custom finishes available upon request.
- \* High impact prismatic, die formed, acrylic lenses are available in clear or co-molded.
  - Co-molded lens has a semi-opaque front for high visual comfort.
- \* All models equipped with integral 120 volt electronic ballasts. 277 volt available for most applications.
- \* Low 1-5/16" profile allows placement in shallow locations.
- \* Robust housing includes extruded 6063T-5 aluminum base and cover with .060 nominal wall thickness.
- \* Die formed .125" end caps with no visible fasteners.
- \* Fixtures can be mounted in continuous lengths with provided internal coupling.
- \* Available for use with a wide variety of T5 lamp types.
- \* Available in hardwired configurations or with cord and switch.
- \* All hardwired models equipped with an internal coupler for continuous row installations.
- \* All hardwired models include feed end caps to allow feeding from ends.
- \* All units are UL & CUL LISTED damp locations
- \* The factory will be happy to discuss all of your special requests.



 5310 N. Irwindale Ave. Irwindale CA 91706 Tel. No's. 626-960-3355 800-421-6196 Fax no. 626-960-3525		DESCRIPTION: <b>CUSTOM 12 SERIES UNDERCABINET LUMINAIRE WITH SIDE BY SIDE F13T5 LINEAR FLUORESCENT LAMPS</b>			
		DRAWN BY: V.M.	DATE:	CAD FILE: CATALOG Q10664	SCALE: NONE
MATERIAL: SEE SPEC's.			FINISH: SEE SPEC's.		



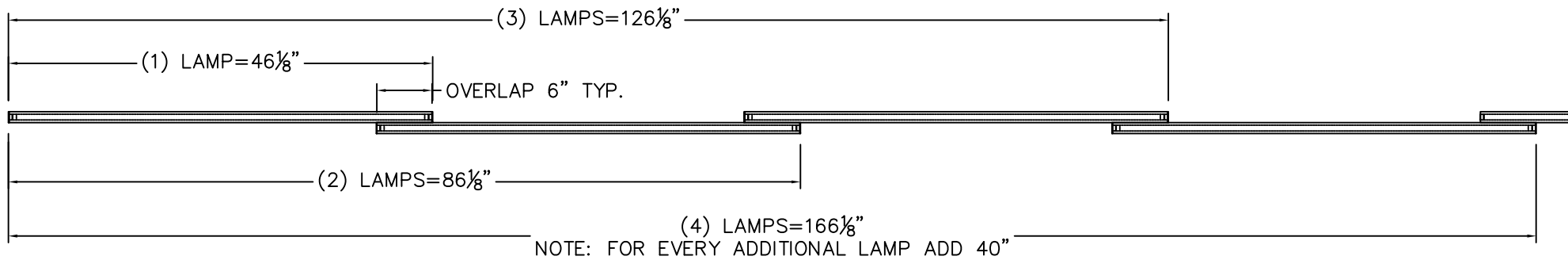
PROVIDED W/120V ELECTRONIC BALLAST FOR F24T5 LAMPS.  
 FIXTURE IS UL & CUL LISTED DAMP LOCATIONS.



**AIREY-THOMPSON**

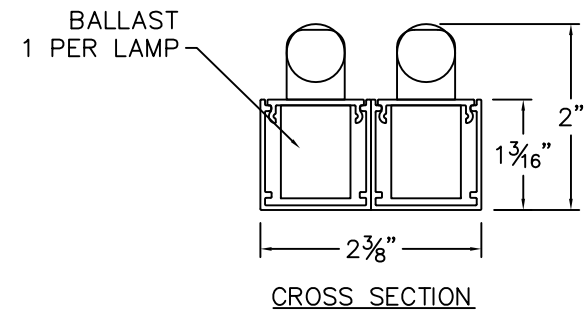
5310 Irwindale Ave.  
 Irwindale CA 91706  
 Tel. No's  
 626-960-3355  
 800-421-6196


DESCRIPTION:			
SPECIAL FIXTURE W/(4) F24T5 UP LIGHTS			
DRAWN BY:	DATE:	CAD FILE:	SCALE:
V.M.		CATALOG Q10716	NONE
MATERIAL:		FINISH:	
HOUSING: 16 GA CRS		WHITE POWDER COAT	

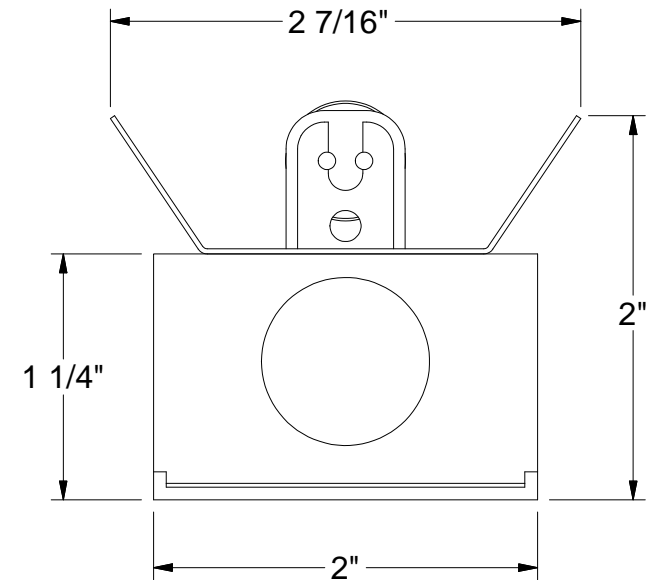
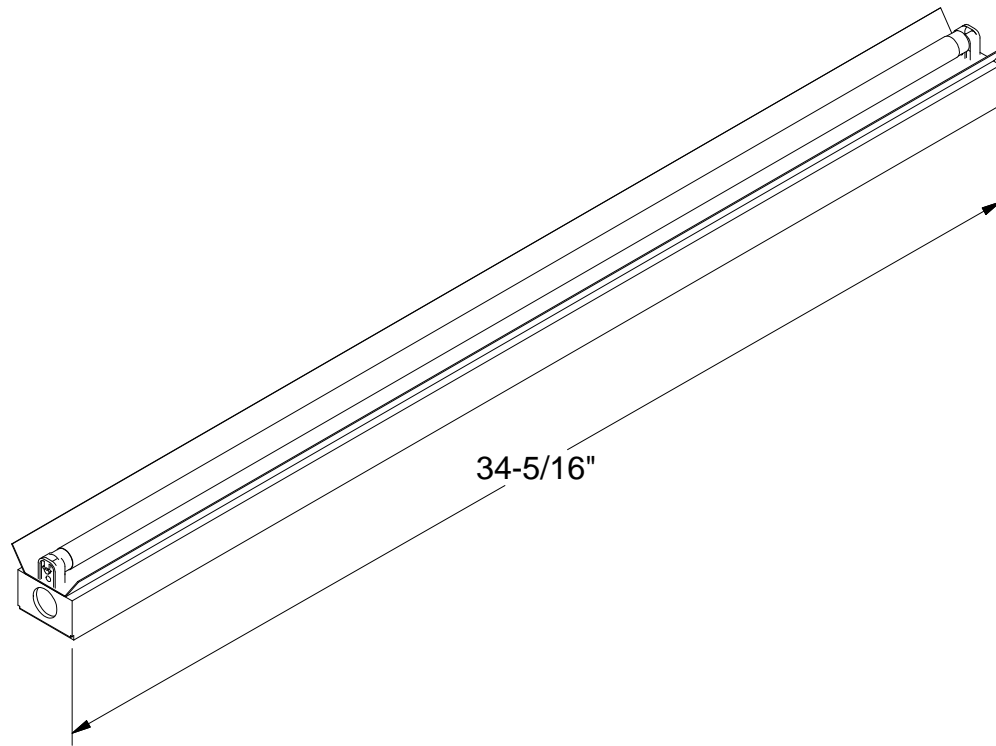


GENERAL SPECIFICATIONS:


- \* HOUSING & COVERS: EXTRUDED 6063-T5 ALUMINUM WITH SATIN ANODIZED FINISH.
- \* BALLAST: ELECTRONIC HIGH POWER FACTOR, 120 VOLTS.
- \* SUITABLE FOR CONTINUOUS ROW MOUNTING, SPECIAL FEATURES INCLUDE:
- \* 14 GA. THRU WIRES WITH WIRE CONNECTORS.
- \* FIXTURE IS UL AND CUL LISTED DAMP LOCATIONS.

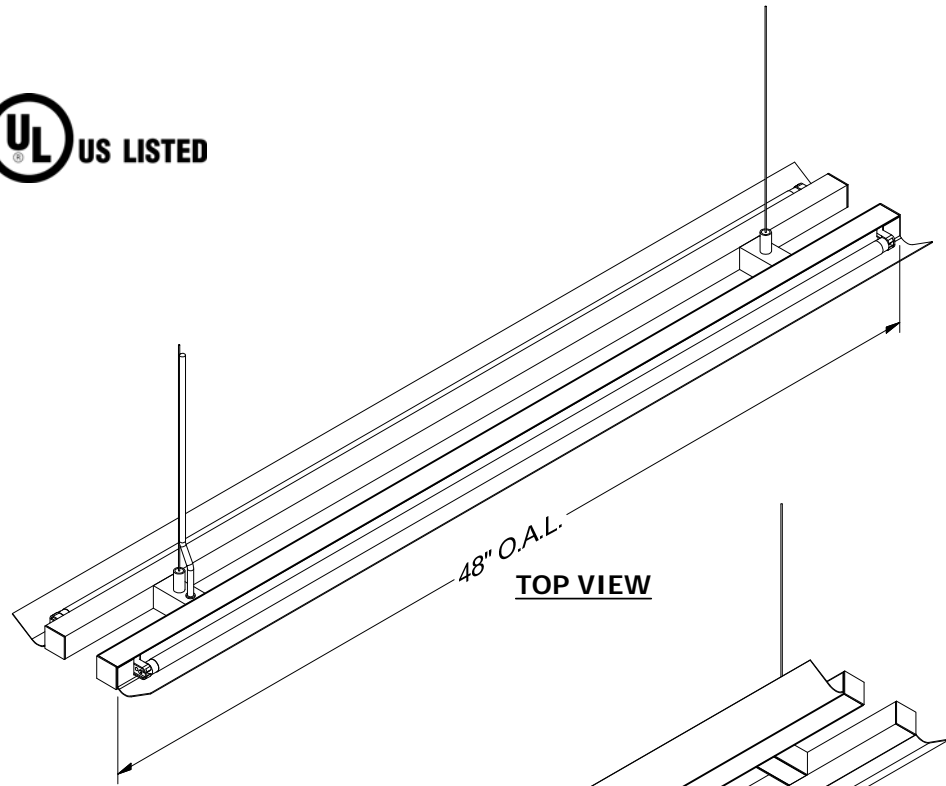


 <b>AIREY-THOMPSON</b> 5310 Irwindale Ave. Irwindale CA 91706 Tel. No's 626-960-3355 800-421-6196				DESCRIPTION:			
				LINEAR F28T5 FLUORESCENT, STAGGERED			
DRAWN BY:		DATE:		CAD FILE:		SCALE:	
V.M.				CATALOG Q10799		NONE	
MATERIAL:						FINISH:	
AS NOTED						AS NOTED	

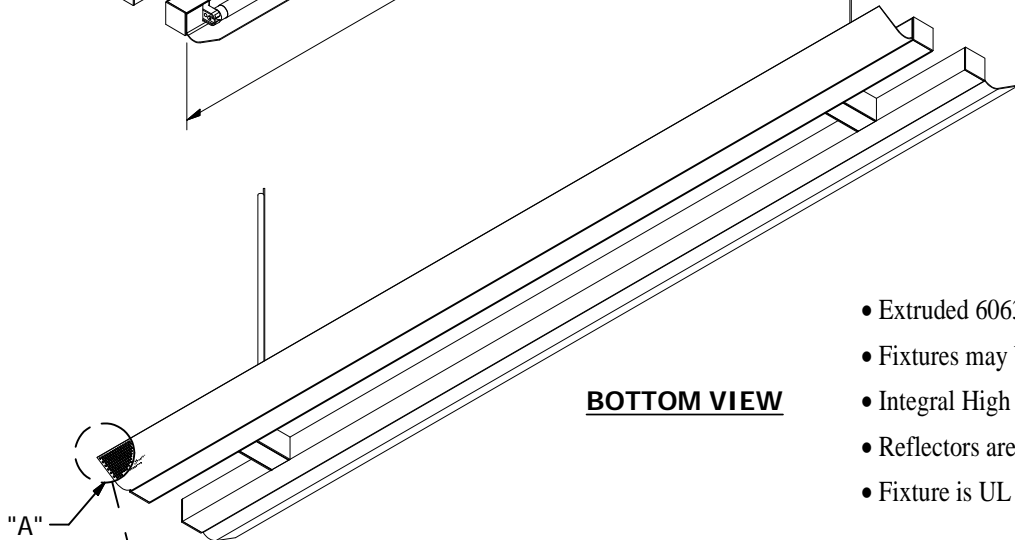


- Extruded 6063-T5 aluminum housing and cover, .060 minimum wall thickness, Satin Anodized finish, custom finishes available upon request.
- Easy installation and wiring through snap off ballast and wiring compartment cover.
- Fixtures may be mounted individually, in continuous rows.
- Multi-voltage 120/277 volt, high power factor electronic instant start ballast.
- Reflector is made of 22ga. thick CRS material with reflector white finish.
- End caps have 1/2" trade size KO's for end feed.
- All fixtures are UL & CUL LISTED damp locations.

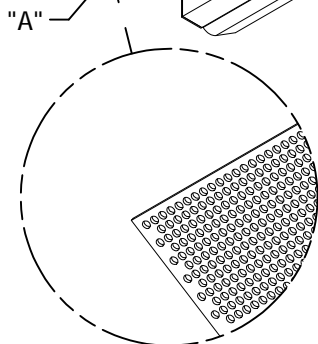
 <p><b>AIREY-THOMPSON</b> Manufacturing Quality Luminaires</p>	DESCRIPTION:  <b>AT200 SERIES FOR 1F21T5 LAMP WITH CUSTOM REFLECTOR</b>			
	DRAWN BY: V.M	DATE:	CAD FILE: CATALOG Q10817	SCALE: NONE
5310 N. Irwindale Ave. Irwindale CA 91706 Tel. No's. 626-960-3355 800-421-6196 Fax no. 626-960-3525	MATERIAL: SEE SPEC'S.		FINISH: SEE SPEC'S.	



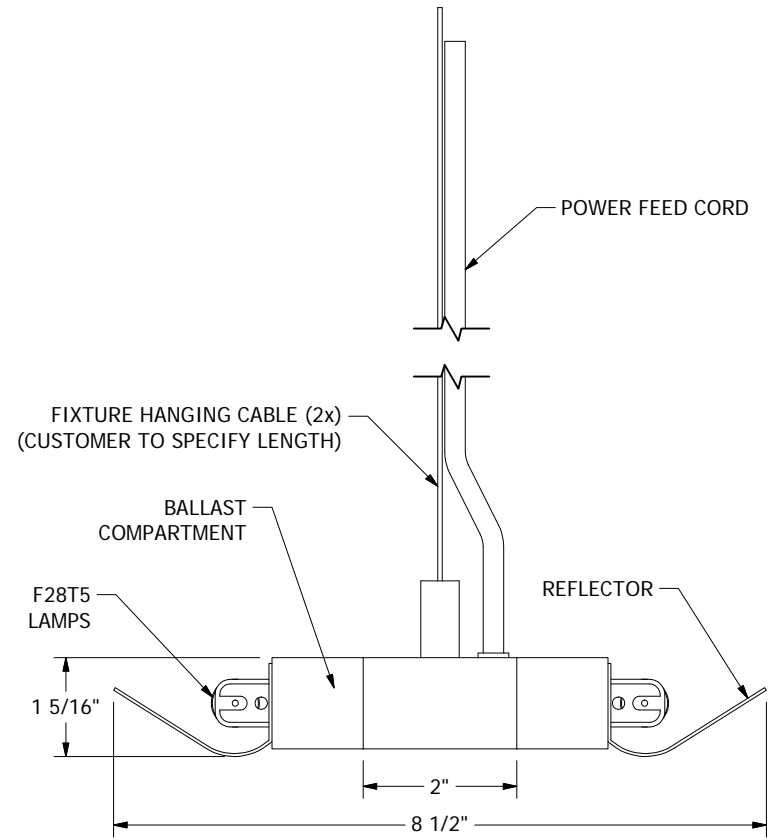
48" O.A.L.  
**TOP VIEW**



**BOTTOM VIEW**




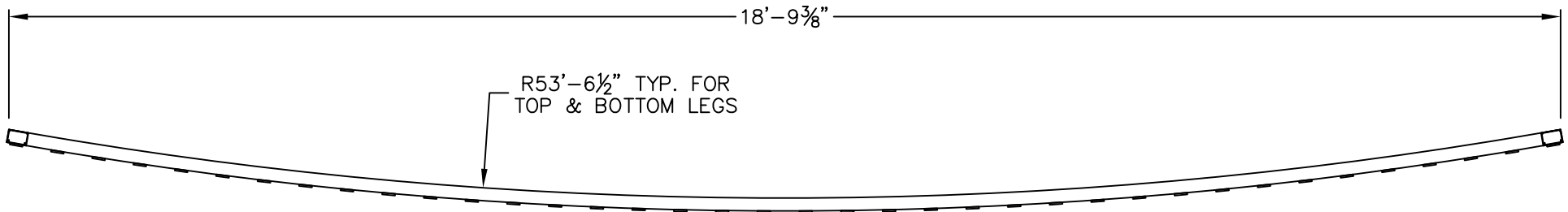
DETAIL "A"  
NOTE: REFLECTOR IS FULLY PERFORATED THROUGH OUT (DETAIL SHOWS ONLY A SMALL AREA)



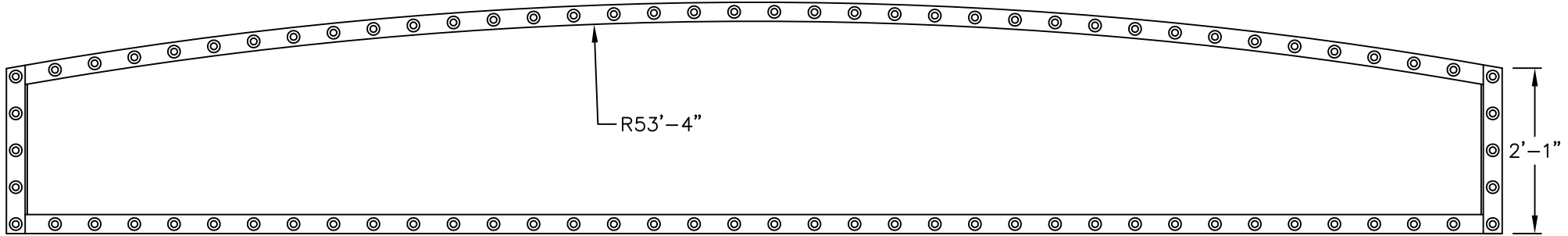
**CROSS SECTION**

- Extruded 6063-T5 aluminum housings and covers, .060 minimum wall thickness, with white finish.
- Fixtures may be mounted individually, or in continuous rows.
- Integral High Power Factor instant start electronic 120 volt ballast.
- Reflectors are made from .040 thick perforated cold rolled steel, with powder coat lighting grade white finish.
- Fixture is UL & CUL LISTED damp locations.

 5310 N. Irwindale Ave. Irwindale CA 91706 Tel. No's. 626-960-3355 800-421-6196 Fax no. 626-960-3525		DESCRIPTION:			
		2-F28T5, FLOATING LINEAR FLUORESCENT 120 VOLT, WITH PERFORATED REFLECTOR			
DRAWN BY:	DATE:	CAD FILE:	SCALE:		
V.M.		CATALOG Q10837	NONE		
MATERIAL:			FINISH:		
SEE SPEC's.			SEE SPEC's.		



TOP VIEW

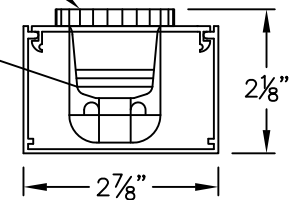


FRONT ELEVATION

FINISH: SUITABLE FOR FIELD PAINTING.  
UL & CUL LISTED WET LOCATION.

WET LOCATION  
GASKET

MEDIUM BASE  
LAMP HOLDER  
SUITABLE FOR  
WET LOCATIONS



TYPICAL CROSS SECTION



www.airey-thompson.com  
5310 N. Irwindale Ave.  
Irwindale CA 90706  
Tel. 800-421-6196

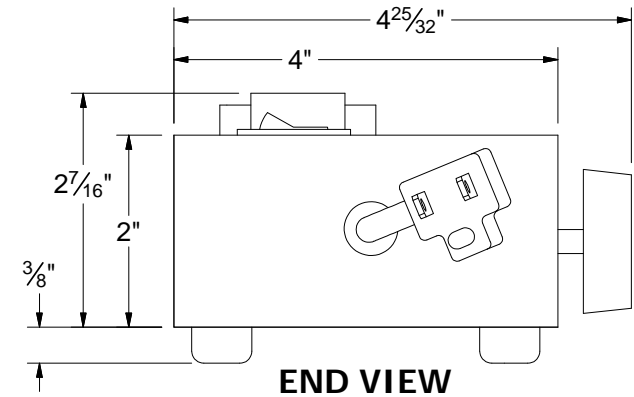
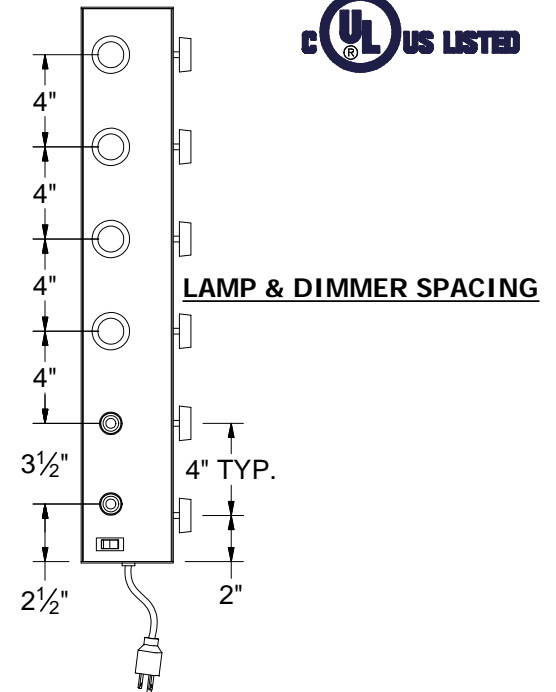
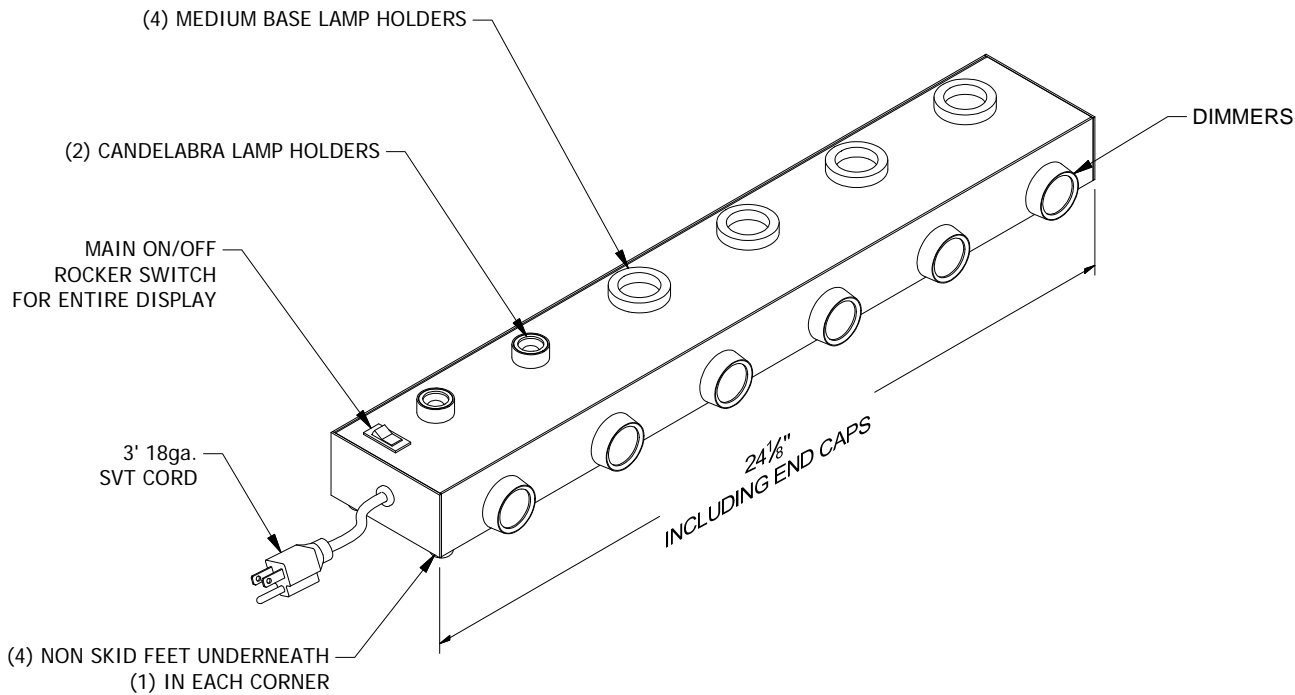
DESCRIPTION:  
SL-C (32 SERIES) DECORATIVE MARQUEE LIGHTS, MBLH 6" OC WET LOC.  
WIRED FOR SEQUENTIAL 3 CIRCUIT

DWG. BY: V.M.

DATE:

SCALE: NONE

MATERIAL: BASE & COVER, EXTRUDED ALUMINUM



CAUTION - RISK OF FIRE  
TYPE CBLH  
MOUNTING RESTRICTIONS  
**MAX. 60W** SB-2008 **MAX. 40W**

CAUTION - RISK OF FIRE  
TYPE MBLH  
MOUNTING RESTRICTIONS  
**MAX. 100W** SB-2001 **MAX. 60W**

THIS LABELS INDICATES THE LAMP  
WATTAGE ALLOWED ACCORDING  
TO THE FIXTURE POSITION



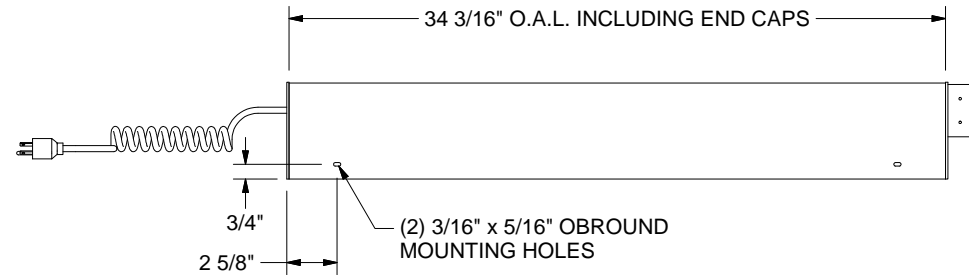
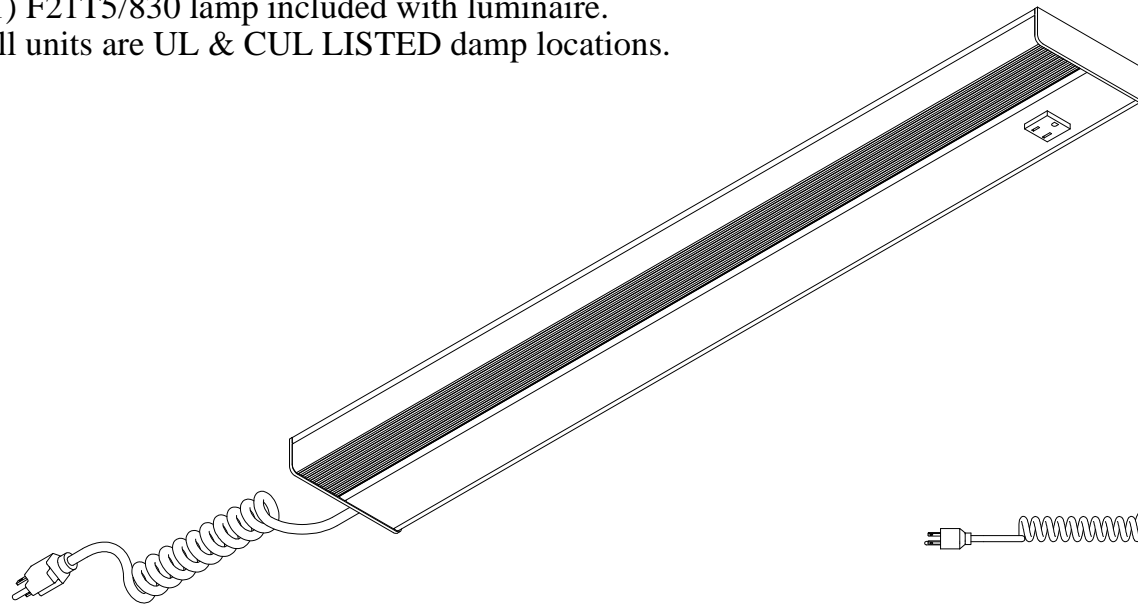
5310 N. Irwindale Ave.  
Irwindale CA 91706  
Tel. No's.  
626-960-3355  
800-421-6196  
Fax no.  
626-960-3525

DESCRIPTION:  
**2x4 SERIES, (6) LAMP TESTING FIXTURE  
WITH DIMMERS & CORD**

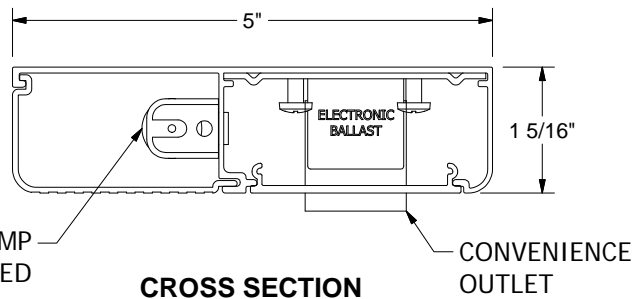
DRAWN BY: V.M.	DATE:	CAD FILE: CATALOG SB2008	SCALE: NONE
MATERIAL: BASE & COVER, EXTRUDED ALUM.		FINISH: POLISHED ALUMINUM	

**SPECIFICATIONS:**

- Robust housing includes extruded 6063T-5 aluminum base and cover with .060 nominal wall thickness.
- White powder coat finish.
- Co-molded lens has a semi-opaque front for high visual comfort.
- Die formed .125" end caps with no visible fasteners.
- Low 1-5/16" profile allows placement in shallow locations.
- White coil cord 6' & convenience outlet to allow daisy chain runs.
- High power factor electronic program start ballast.
- (1) F21T5/830 lamp included with luminaire.
- All units are UL & CUL LISTED damp locations.




**BACK VIEW**

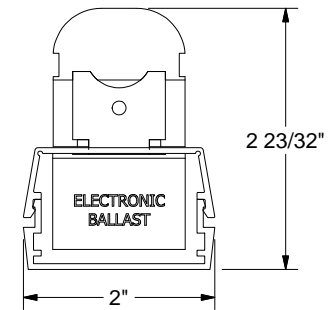
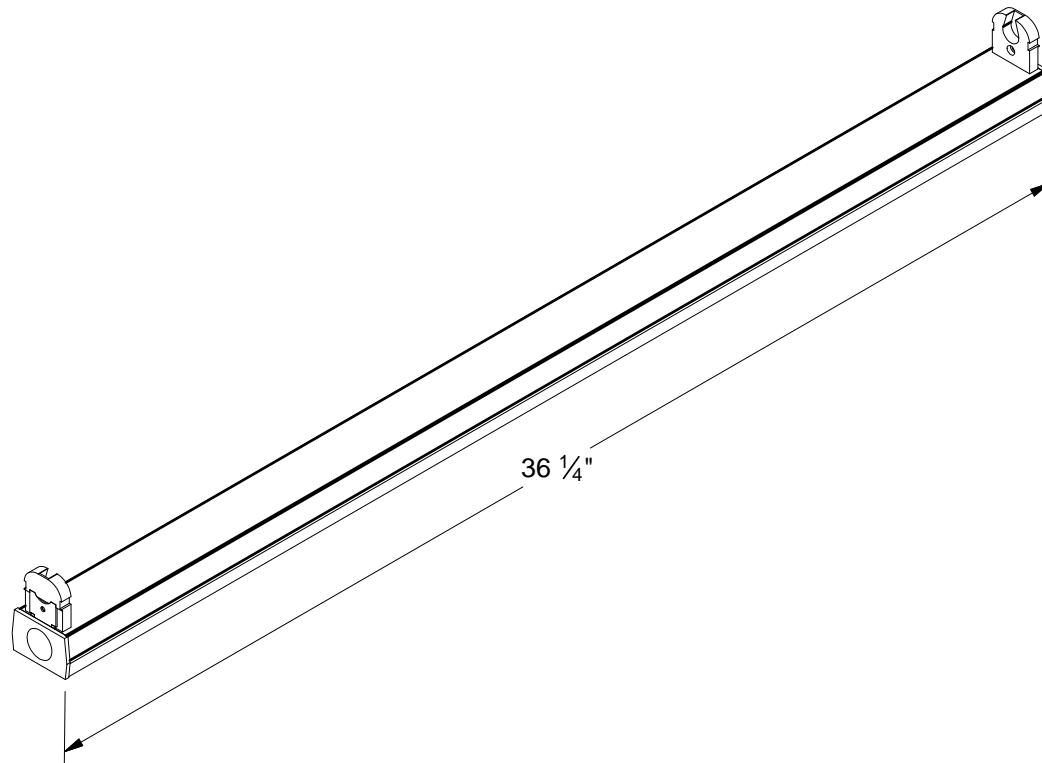


**CROSS SECTION**

(1) F21T5/830 LAMP INCLUDED

CONVENIENCE OUTLET


 <b>AIREY-THOMPSON</b>		DESCRIPTION:	
5310 N. Irwindale Ave. Irwindale CA 91706 Tel. No's. 626-960-3355 800-421-6196 Fax no. 626-960-3525		WHITE COIL CORD 6' LG., DAISY CHAIN CONNECTOR & (1) F21T5/830 FLUORESCENT LAMP	
DRAWN BY:	DATE:	CAD FILE:	SCALE:
V.M.		CATALOG SB-2010	NONE
MATERIAL:		FINISH:	
SEE SPEC's.		SEE SPEC's.	

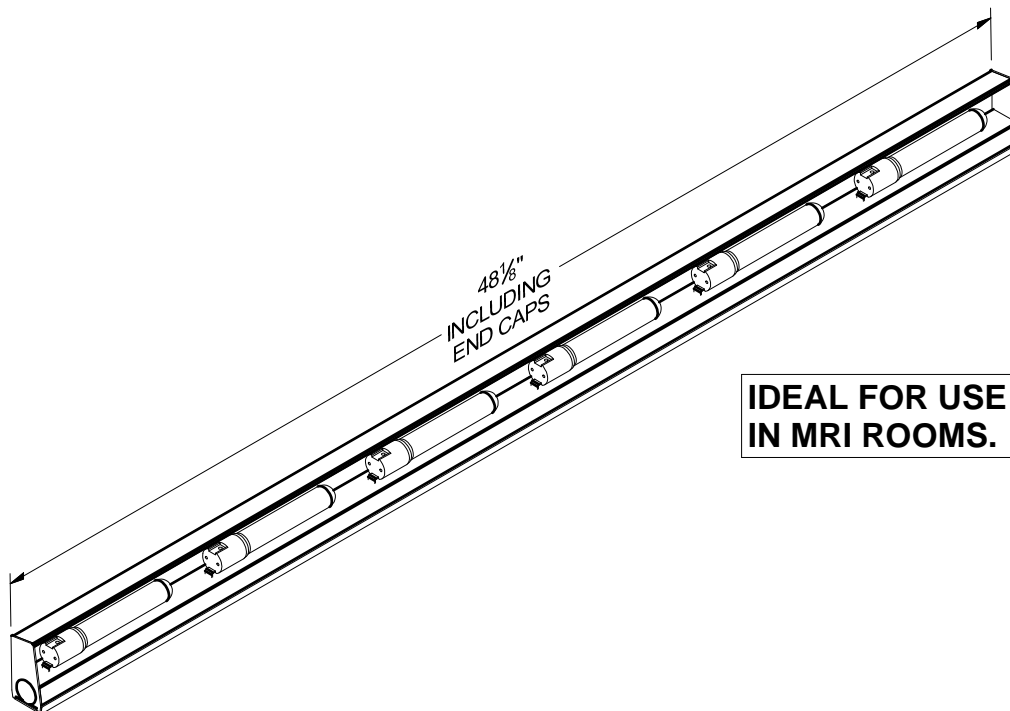


**TYPICAL CROSS SECTION**

- Extruded 6063-T5 aluminum housing and cover, .060 minimum wall thickness, Satin Anodized finish, custom finishes available upon request.
- Easy installation and wiring through snap off compartment cover.
- Fixtures may be mounted individually, or in continuous rows.
- Integral high power factor instant start electronic 120 volt ballast.
- Feed end caps are included to allow feeding from ends.
- Fixture is UL & CUL LISTED damp locations.



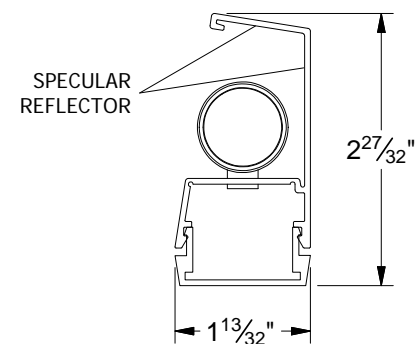
 <p><b>AIREY-THOMPSON</b> Manufacturing Quality Luminaires</p>	DESCRIPTION:  2RM SERIES, LUMINAIRE SATIN FINISH, FOR USE WITH (1) F30T8 BLACK LIGHT BULB			
	DRAWN BY: V.M.	DATE:	CAD FILE: CATALOG SB-2002	SCALE: NONE
5310 N. Irwindale Ave. Irwindale CA 91706 Tel. No's. 626-960-3355 800-421-6196 Fax no. 626-960-3525	MATERIAL: SEE SPEC's.		FINISH: SEE SPEC's.	




**IDEAL FOR USE  
IN MRI ROOMS.**

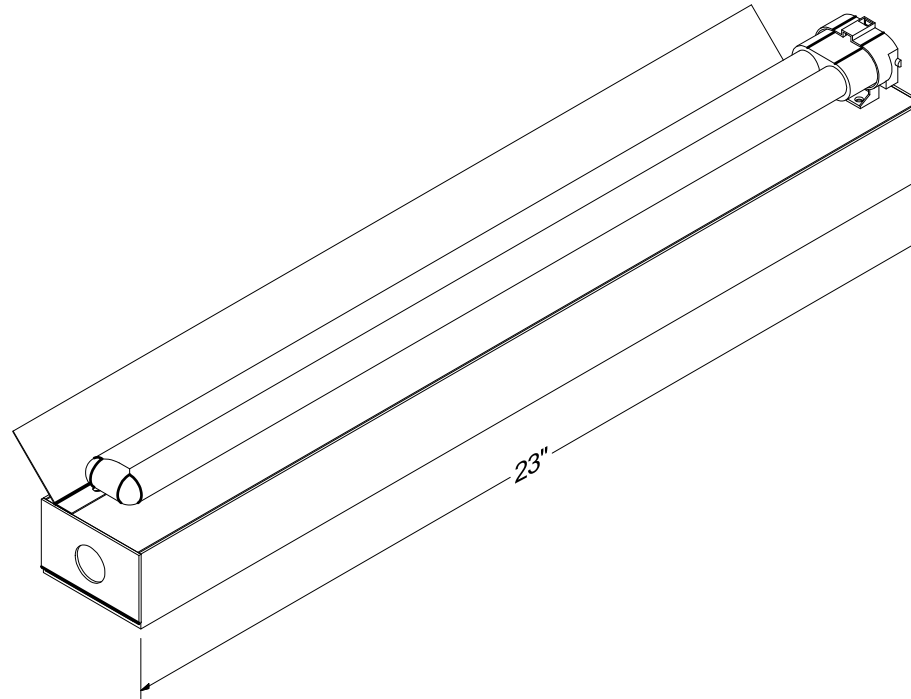
**SPECIFICATIONS**

- Fixtures are made from non-ferrous materials and components.
- Extruded 6063-T5 aluminum base and cover with .050 nominal wall thickness.
- Custom dark bronze powder coat finish, other finishes available.
- Offers the incandescent lamps color rendering that is required in many installations.
- Easy installation and wiring through snap off wiring compartment.
- Easily dimmable with standard dimming controls.
- Lamps mounted on 8 in. centers for continuous row fixtures.
- Supplied with phenolic intermediate base lamp holders.
- Lamps are available clear or frosted in 20, 25, & 40 watts.
- End to end lamp configurations for even light distribution.
- Fixtures are shipped with two feed end fittings, for continuous row mounting, simply remove end caps where luminaires meet, and use the internal coupler (provided) to make a seamless link.
- All units are UL & CUL LISTED damp locations.
- Consult factory for special miters and lamp spacing.
- On continuous row fixtures the standard lamp centers is maintained and any difference in length is balanced out on each end.



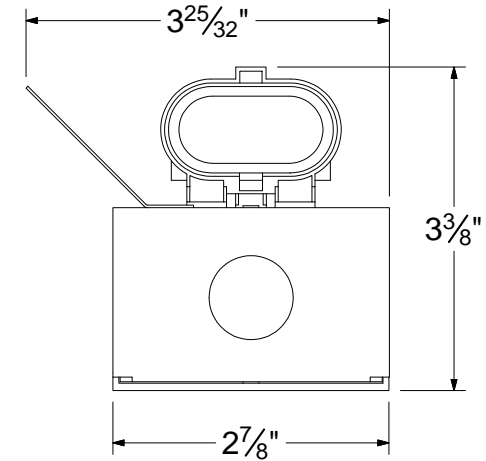
**TYPICAL CROSS SECTION**


 5310 N. Irwindale Ave. Irwindale CA 91706 Tel. No's. 626-960-3355 800-421-6196 Fax no. 626-960-3525	DESCRIPTION:			
	NON-FERROUS COMPONENTS FIXTURE T61/2 INCANDESCENT LAMPS & SPECULAR REFLECTOR			
DRAWN BY:	DATE:	CAD FILE:	SCALE:	
V.M.		CATALOG SB-2004	NONE	
MATERIAL:			FINISH:	
SEE SPEC's.			SEE SPEC's.	

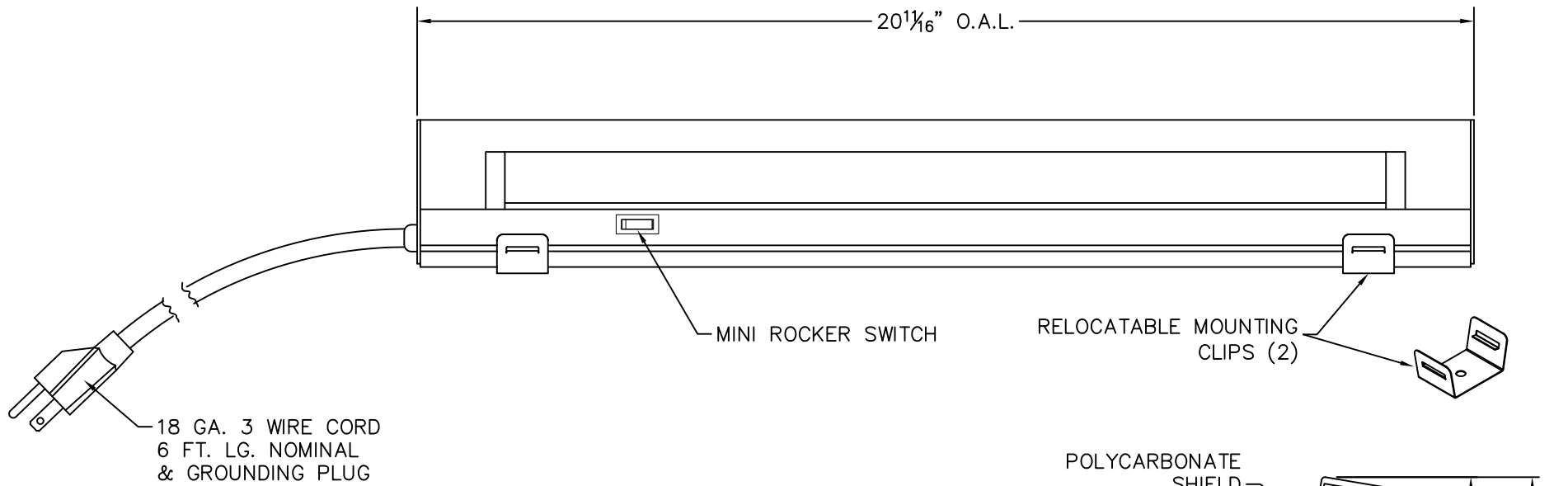


**SPECIFICATIONS**

- Extruded 6063-T5 aluminum housing and cover, .050 minimum wall thickness.
- Satin anodized aluminum finish. Custom finishes available on special request.
- Supplied with 2G11 lamp base for a 40 watt twin tube lamp (lamps by others).
- Asymmetrical reflector is made of 22 ga. and finished with high reflectance white powder coat.
- Equipped with a 277 volt electronic ballast.
- Snap off cover for easy access to ballast and wiring compartment.
- Both end caps have a 1/2" trade size KO for easy wiring.
- All fixtures are UL & CUL LISTED damp locations.

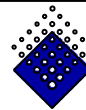
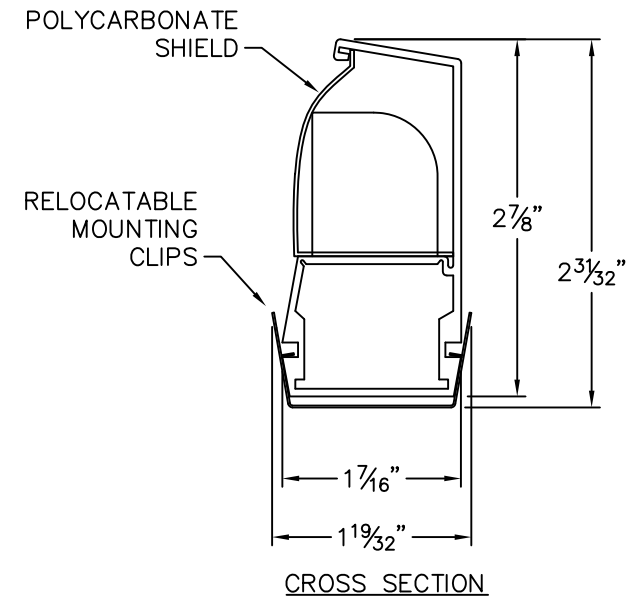


	DESCRIPTION: 32107 SERIES, COVE LIGHTING, SINGLE LAMP MODULE WITH A CUSTOM ASYMMETRIC WHITE REFLECTOR			
	DRAWN BY: V.M.	DATE:	CAD FILE: CATALOG SO27239	SCALE: NONE
5310 N. Irwindale Ave. Irwindale CA 91706 Tel. No's. 626-960-3355 800-421-6196 Fax no. 626-960-3525	MATERIAL: SEE NOTES		FINISH: SEE NOTES	



## SPECIFICATIONS

- \* Equipped with integral 120 volt electronic ballasts.
- \* Small cross section allows placement in tough, space restricted locations.
- \* Robust housing includes extruded 6063T-5 aluminum base and cover.
- \* Satin anodized aluminum finish is standard, custom finishes available upon request.
- \* Shipped with (2) relocatable mounting clips for easy Luminaire mounting.
- \* For use with (1) F15T8 lamp. (Lamps by others).
- \* All units are UL & CUL LISTED damp locations.



**AIREY-THOMPSON**

5310 Irwindale Ave.  
Irwindale CA 91706  
Tel. No's  
626-960-3355  
800-421-6196

### DESCRIPTION:

CUSTOM 29 SERIES WITH  
POLYCARBONATE LAMP SHIELD

DRAWN BY: V.M.	DATE:	CAD FILE: CATALOG Q10692-1	SCALE: NONE
MATERIAL: SEE SPEC's.		FINISH: SEE SPEC's.	