

- Made to order for individual or multiple mirror applications depending on job requirements.**
- Factory mitered corners and tees available with or without lampholders.**
- Lamp spacing as specified. Actual lamp spacing is adjusted for even spacing after layout is determined.**
- Factory wired for easy installation. Intersecting legs have thru wiring provision.**
- Satin finish manufactured from .055 nominal extruded 6063 T5 anodized aluminum.**
- Polished aluminum and polished gold finishes manufactured from .055 nominal extruded 6463 T5 bright dipped aluminum.**
- Consult factory for custom finishes.**
- Available with porcelain medium base lampholders up to 150 watts or phenolic candelabra base lampholders up to 40 watts.**
- Available with 15 or 20 Amp single or duplex devices.**
- Available with integral rocker, toggle or dimming switches.**
- Airey-Thompson dressing room luminaries are available with open ended lamp guards that meet NEC 520-72.**
- Lamp guards are available in bright nickel or bright brass finishes and in four sizes for G16-1/2, A19, G25 or G40.**



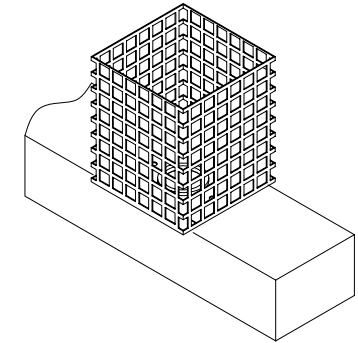
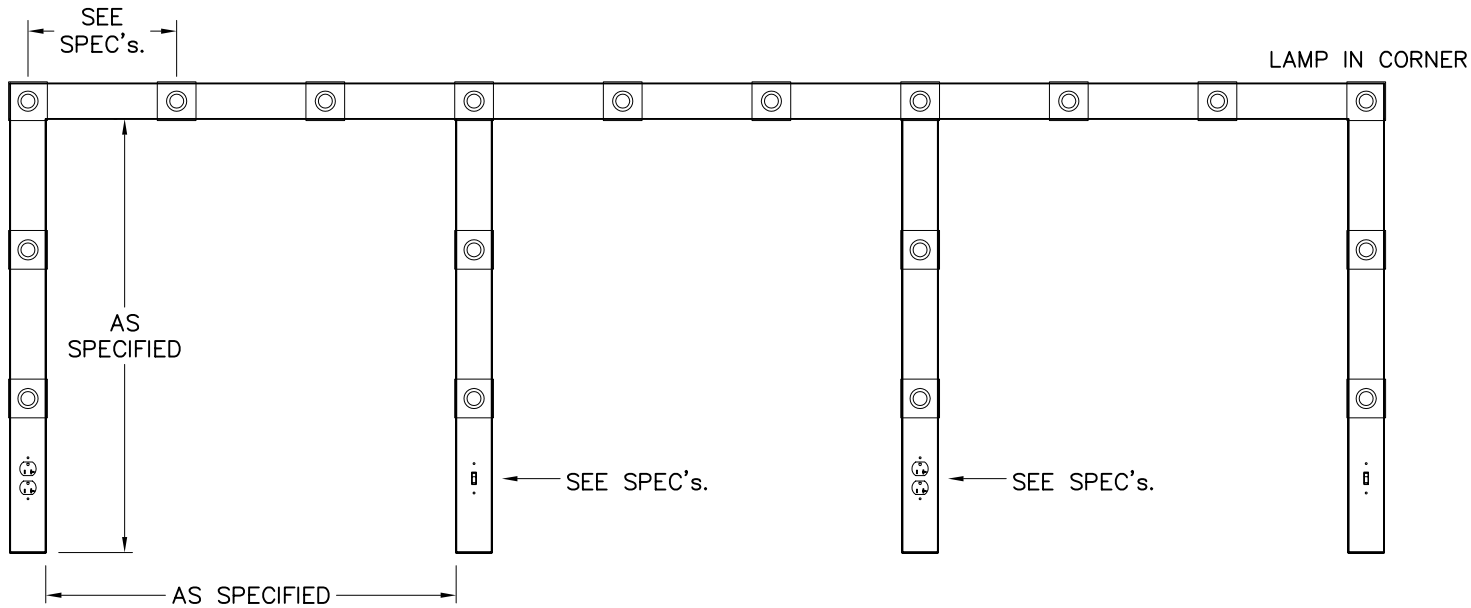
AIREY-THOMPSON

5310 Irwindale Ave.
 Irwindale CA 91706
 Tel. No's
 626-960-3355
 800-421-6196

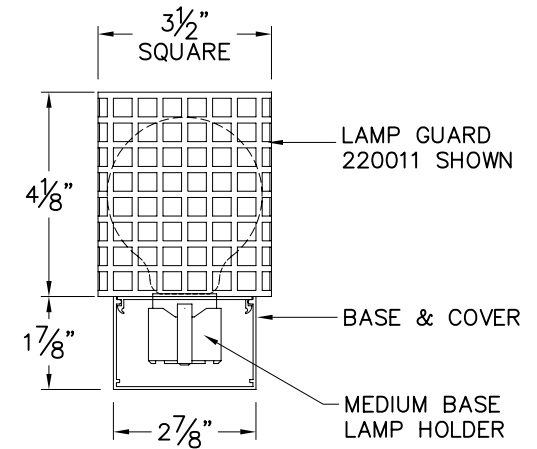
DESCRIPTION:

2+2 SERIES, MBLH, MULTIPLE MIRROR UNIT
 DRESSING ROOM FIXTURE

| | | | |
|------------------------------|--------------------------|------------------------------------|-----------------------|
| DRAWN BY: V.M. | DATE: 12-07-06 | CAD FILE: 22Mir-sht1-06a | SCALE: NONE |
| MATERIAL: AS NOTED | | FINISH: AS NOTED | |



Made to order for individual or multiple mirror applications depending on job requirements.
Factory mitered corners and tees available with or without lampholders.
Lamp spacing as specified. Actual lamp spacing is adjusted for even spacing after layout is determined.
Factory wired for easy installation. Intersecting legs have thru wiring provision.
Satin finish luminaires manufactured from .060 nominal extruded 6063 T5 anodized aluminum.
Consult factory for custom finishes.
Available with porcelain medium base lampholders up to 150 watts or phenolic candelabra base lampholders up to 40 watts.
Available with 15 or 20 Amp single or duplex devices.
Available with integral rocker, toggle or dimming switches.
Airey-Thompson dressing room luminaires are available with open ended lamp guards that meet NEC 520-72.
Lamp guards are available in bright nickel or bright brass finishes and in four sizes for G16-1/2, A19, G25 or G40.



AIREY-THOMPSON

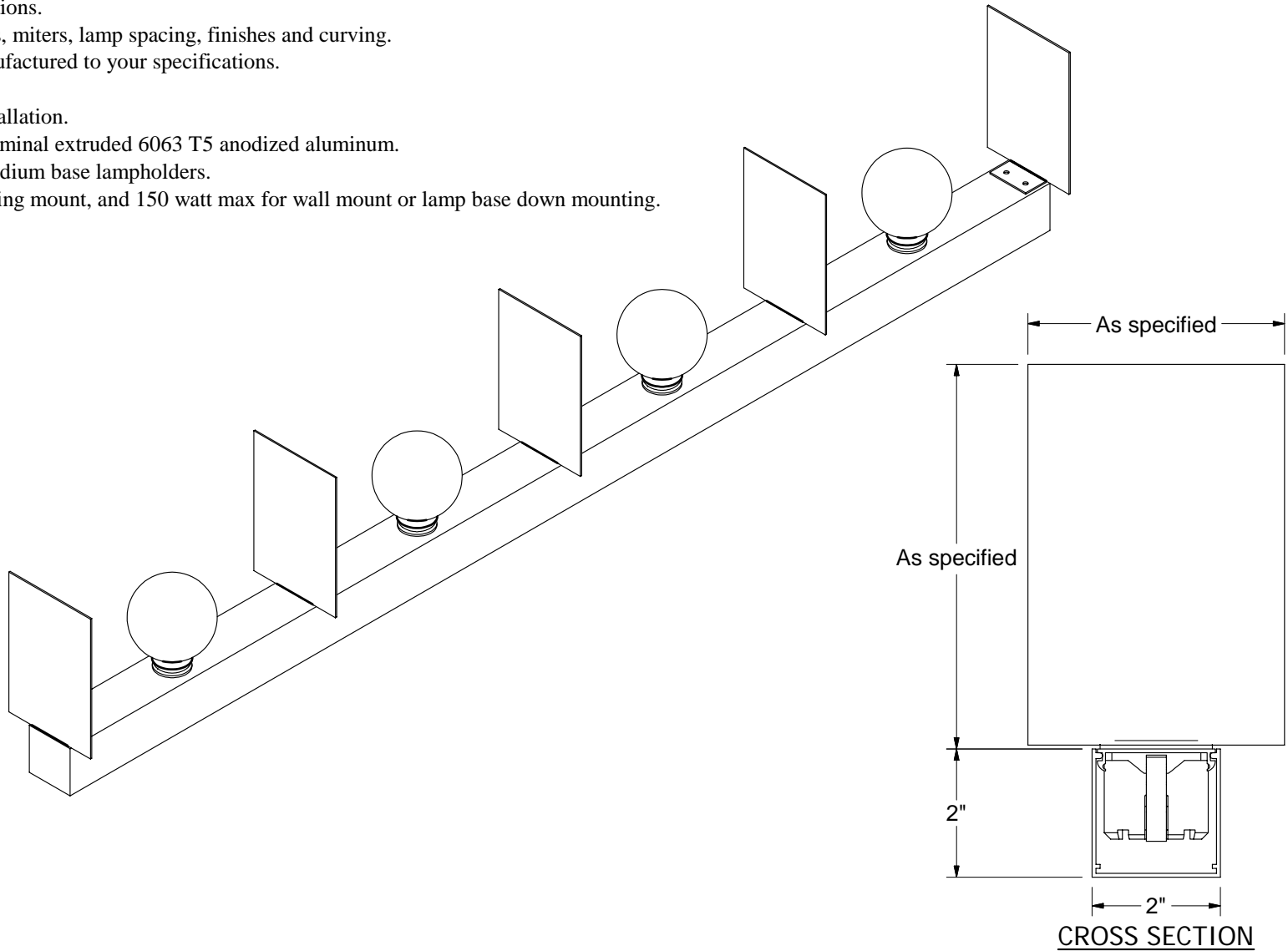
5310 Irwindale Ave.
 Irwindale CA 91706
 Tel. No's
 626-960-3355
 800-421-6196

DESCRIPTION:

32 SERIES, MBLH, MULTIPLE MIRROR UNIT
DRESSING ROOM FIXTURE

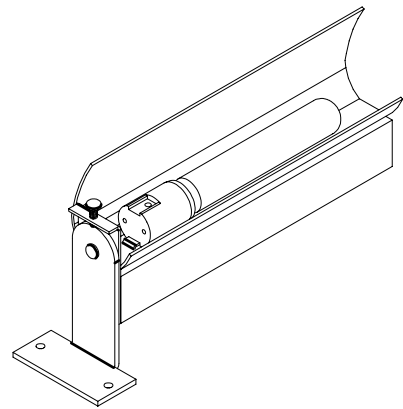
| | | | |
|-----------------------|-------------------|-----------------------------|----------------|
| DRAWN BY: V.M. | DATE: 12-07-06 | CAD FILE: 32Mir-sht1-06a | SCALE: NONE |
| MATERIAL: AS NOTED | | FINISH: AS NOTED | |

Ideal for wall wash applications.
 Available in custom lengths, miters, lamp spacing, finishes and curving.
 Custom baffles can be manufactured to your specifications.
 Lamp spacing as specified.
 Factory wired for easy installation.
 Manufactured from .055 nominal extruded 6063 T5 anodized aluminum.
 Provided with porcelain medium base lampholders.
 Up to 60 watts max for ceiling mount, and 150 watt max for wall mount or lamp base down mounting.

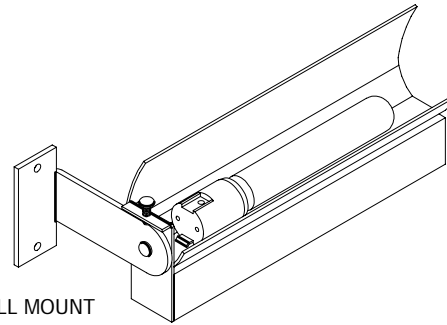



AIREY-THOMPSON
 5310 N. Irwindale Ave.
 Irwindale CA 91706
 Tel. No's.
 626-960-3355
 800-421-6196
 Fax no.
 626-960-3525

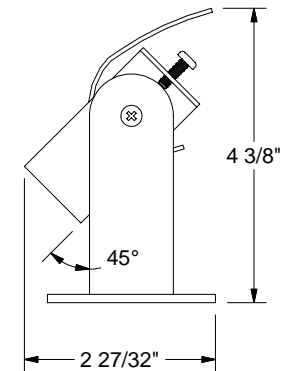
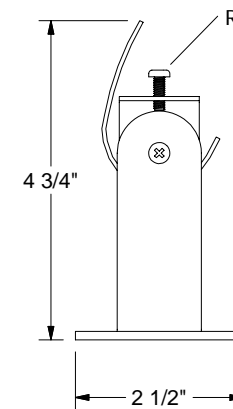
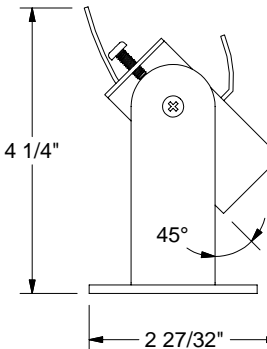
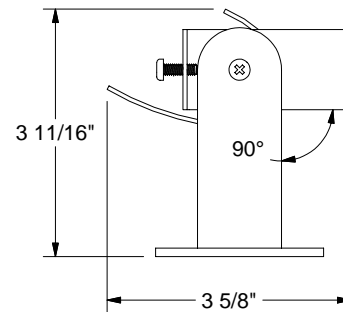
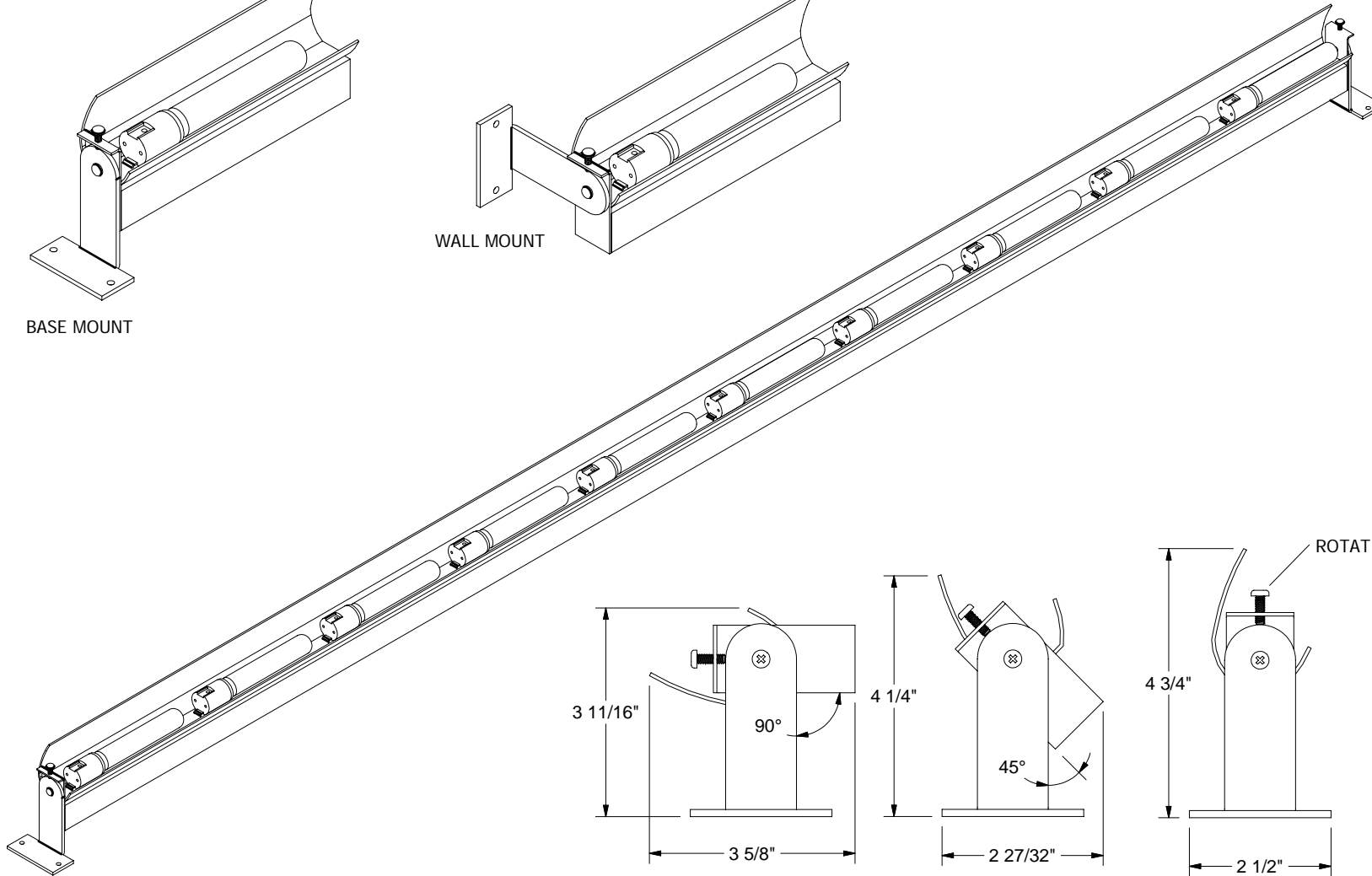
| | | | |
|-----------------------------|----------|------------------|--------|
| DESCRIPTION: | | | |
| 2+2 WITH BAFFLES & M.B.L.H. | | | |
| DRAWN BY: | DATE: | CAD FILE: | SCALE: |
| V.M. | 12-14-06 | 2+2 with Baffles | NONE |
| MATERIAL: | | FINISH: | |
| SEE SPEC'S. | | SEE SPEC'S. | |



BASE MOUNT



WALL MOUNT



ROTATIONAL OPTIONS

Linear incandescent for T6 1/2 lamps.
Easily adjustable specular reflector.
Lamps are available in 20, 25 & 40 watts.
Satin finish housing manufactured from .055-nominal extruded 6063 T5 anodized aluminum.

Supplied with phenolic intermediate base lampholders mounted on 8" centers.
Easily dimmable with standard dimming controls.
Manufactured in custom lengths to match job requirements.



AIREY-THOMPSON

5310 N. Irwindale Ave.
Irwindale CA 91706
Tel. No's.
626-960-3355
800-421-6196
Fax no.
626-960-3525

DESCRIPTION:

65 Series, Cove, T6 1/2, Incandescent Lamps,
With Adjustable Specular Reflector

DRAWN BY:

V.M.

DATE:

01-09-07

CAD FILE:

65RefL-sht1-07a

SCALE:

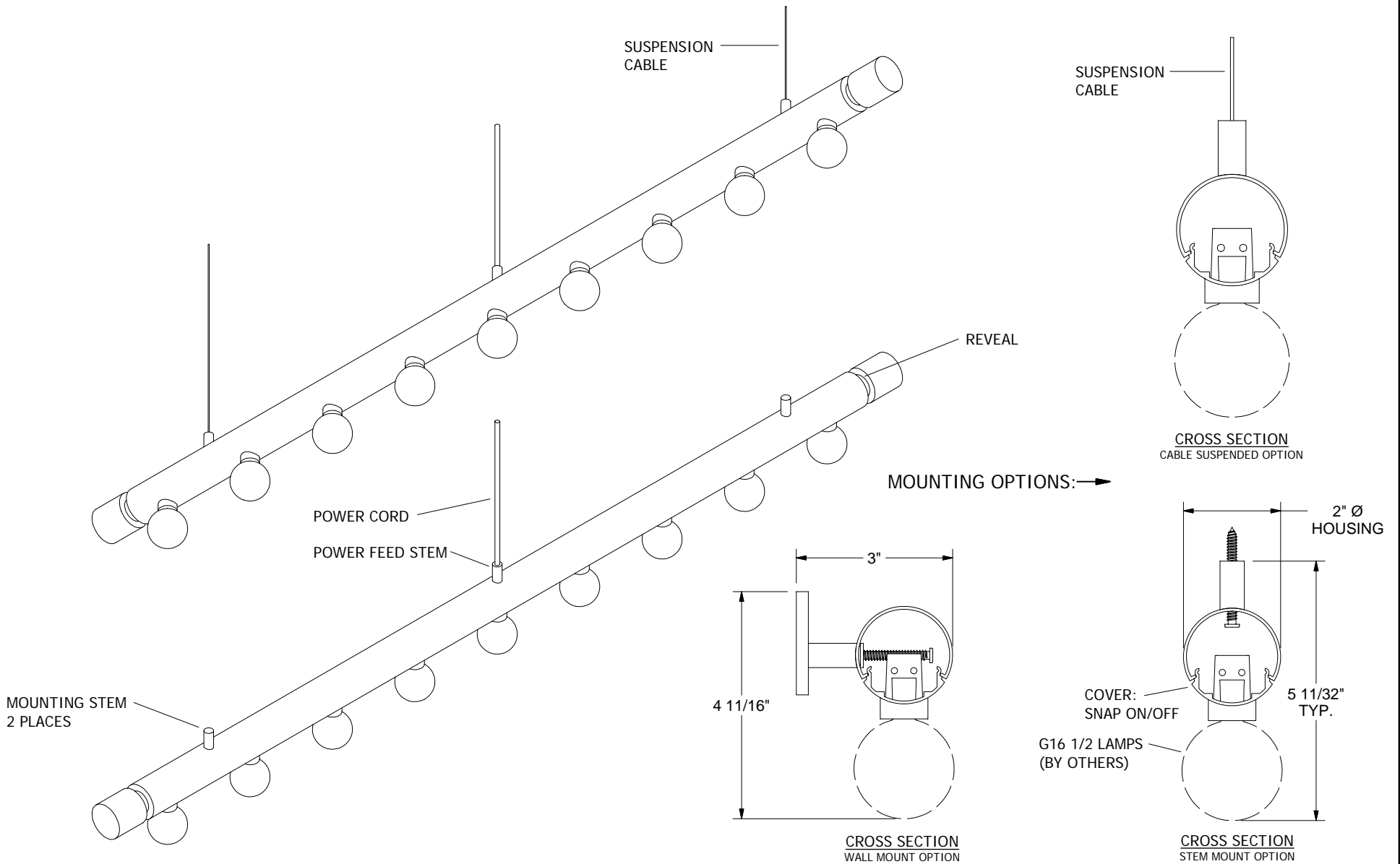
none

MATERIAL:

As Noted

FINISH:

As Noted



Satin finish housing manufactured from .055-nominal extruded 6063 T5 anodized aluminum.

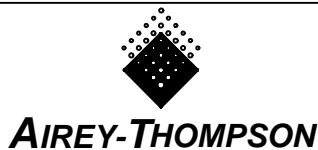
Consult factory for custom finishes.

Standard 6" lamp spacing or as specified.

Phenolic candelabra base lampholders up to 40 watts.

Available with flat end plate.

Available with internal set screw coupling for continuous runs.



5310 N. Irwindale Ave.
 Irwindale CA 91706
 Tel. No's.
 626-960-3355
 800-421-6196
 Fax no.
 626-960-3525

DESCRIPTION:

2" DIA. LUMINAIRE W/CANDELABRA LAMP HOLDERS
 AND CUSTOM END ASSEMBLY W/ REVEAL

DRAWN BY:

V.M.

DATE:

12-27-06

CAD FILE:

2 in. DIA. sht1-06a

SCALE:

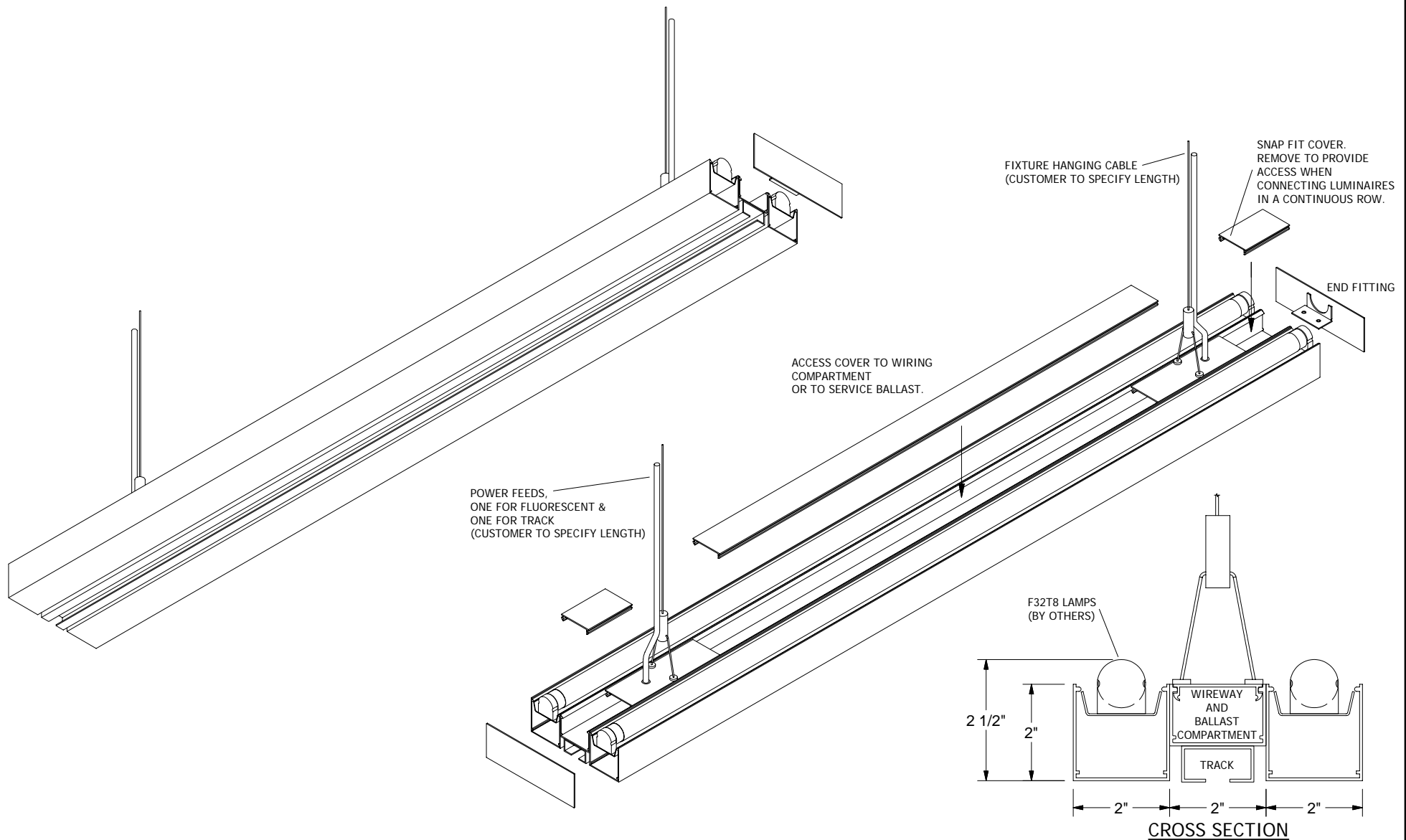
NONE

MATERIAL:

SEE SPEC'S.

FINISH:

SEE SPEC'S.



Satin finish housing manufactured from .055-nominal extruded 6063 T5 anodized aluminum.
 Consult factory for custom finishes.
 Custom manufactures to match room configuration.
 Available in other lamp lengths and types.
 Track per customers specification.
 White powder coat finished reflector.
 Available with internal set screw coupling for continuous runs.



AIREY-THOMPSON

5310 N. Irwindale Ave.
 Irwindale CA 91706
 Tel. No's.
 626-960-3355
 800-421-6196
 Fax no.
 626-960-3525

| | | | |
|----------------------------------------------------------------|----------|--------------------|--------|
| DESCRIPTION: | | | |
| 2+6+TRACK FOR (2) F32T8 LAMPS PLUS CUSTOMER SPECIFIED TRACK | | | |
| DRAWN BY: | DATE: | CAD FILE: | SCALE: |
| V.M. | 12-14-06 | 2+6+Track-sht1-06a | NONE |
| MATERIAL: | | FINISH: | |
| SEE SPEC's. | | SEE SPEC's. | |