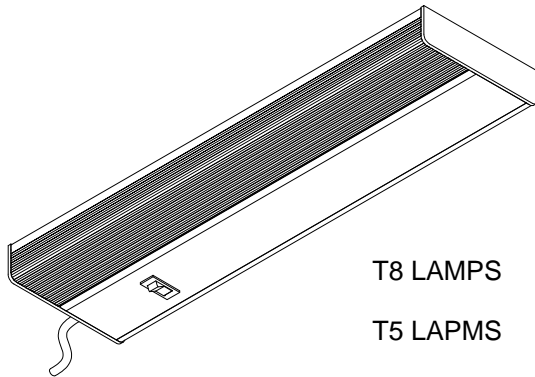




UNDER CABINET LIGHTING

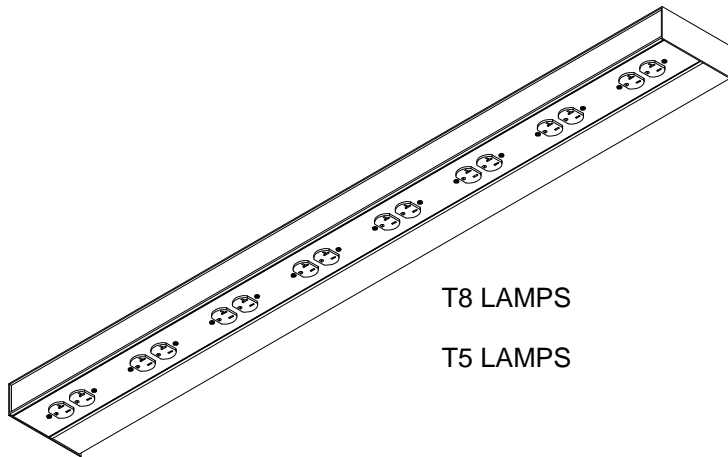
SECTION 1



12 Series

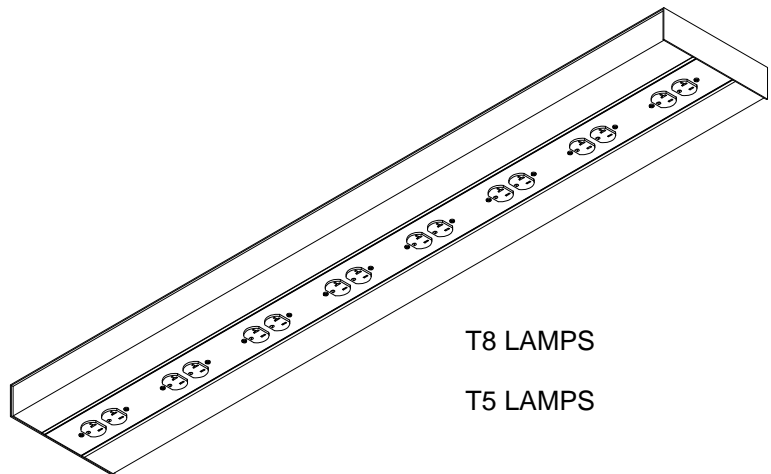
- T8 LAMPS
- T5 LAMPMS
- T5HO LAMPS
- 13 WATT COMPACT FLUORESCENT

**BACK TO TABLE
OF CONTENTS**



35R Series

- T8 LAMPS
- T5 LAMPS

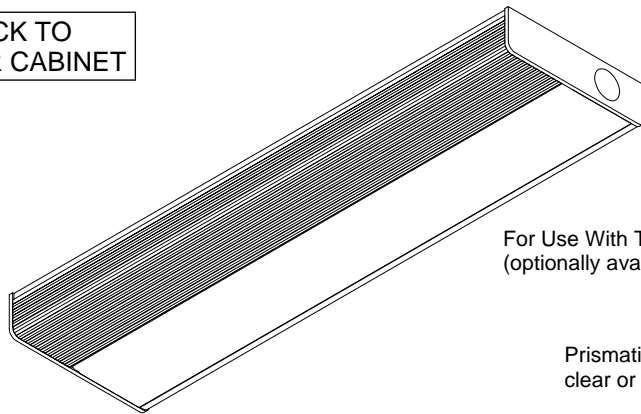


37R Series

- T8 LAMPS
- T5 LAMPS

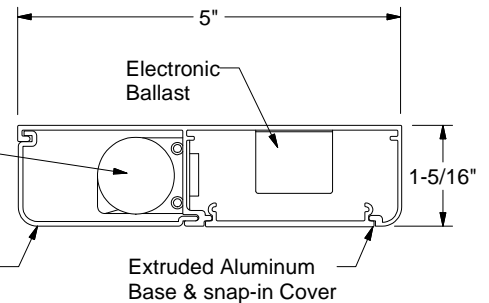
BACK TO
UNDER CABINET

Type: _____



For Use With T8 Lamp
(optionally available)

Prismatic lens either
clear or co-molded



SPECIFICATIONS



- White powder coat or satin anodized aluminum finish is standard.
- Custom finishes available upon request.
- Extruded 6063T-5 aluminum base and cover with .060 nominal wall thickness.
- High impact prismatic, die formed, acrylic lenses are available in clear or co-molded.
- Co-molded lens have a semi-opaque front for high visual comfort.
- Electronic, high power factor, instant start, 120 volt ballast is standard.
- Low 1-5/16" profile allows placement in shallow locations.
- Die formed .125" end caps with no visible fasteners.
- Luminaires are provided in hardwired configuration by default (including through wires), but are available with cords.
- Hardwired fixtures are shipped with feed end caps. For continuous row mounting, simply remove end caps where luminaires meet, and use the internal coupler (provided) to make a seamless link.
- All units are UL & CUL LISTED damp locations
- The factory will be happy to discuss all of your special requests.
- Available for use with a wide variety of T8 lamp types.

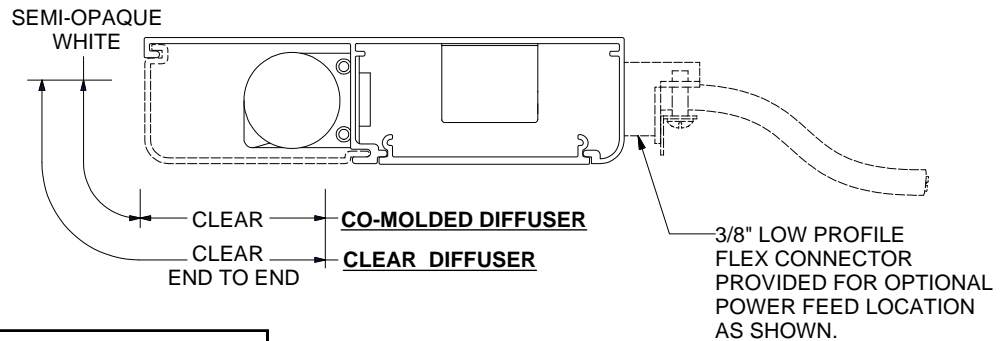
See lamp chart for selection and lengths.

* If ordered with lamps, 4100k color temp. is standard, other lamp colors may be available.

Product Series	Quantity of inline T8 lamps	Lamp Code	Lens Type	Finish	Standard Options Suffix Part # as required in the sequence below.
----------------	-----------------------------	-----------	-----------	--------	--

12	1	14T8	0	0	
----	---	------	---	---	--

12	See lamp chart for luminaire lengths. 1 or 2 lamps are standard.	14T8	0= Prismatic Clear	0= Satin	- WC (6') White 3-wire cord & plug (18ga SVT) - GC (6') Gray 3-wire cord & plug (18ga SVT) -SW Factory wired rocker switch -F Factory wired fuse (3A) -GCO Factory wired Grounded Convenience Outlet (15A) -277 277 Volt Electronic Ballast -41K Lamps Included
		15T8	1= Co-Molded	3= White	
		17T8			
		25T8			
		32T8			

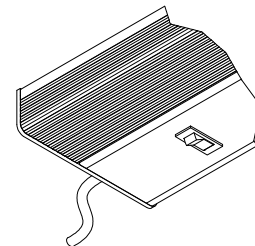
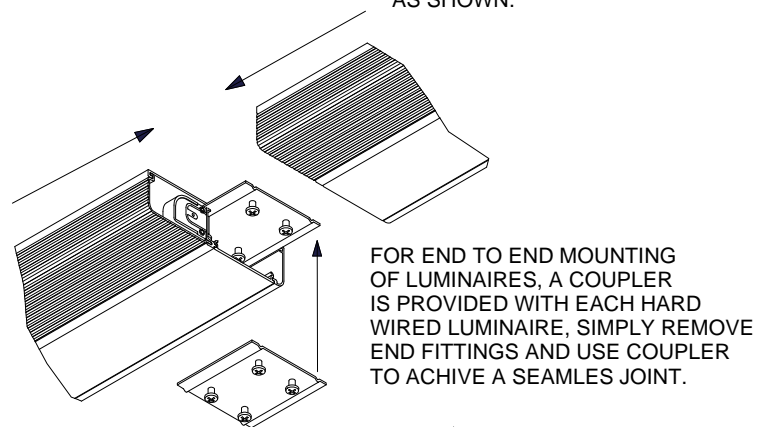


12 Series T8 Luminaire Length Chart

Lamp Quantity	Lamp Type	Luminaire Length (Includes end caps)
---------------	-----------	--------------------------------------

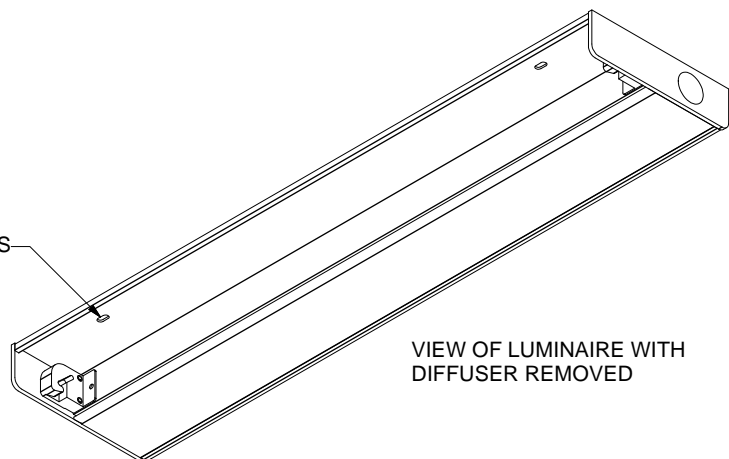
1	F14T8	15-3/8"
	F15T8	18-3/8"
	F17T8	24-3/8"
	F25T8	36-3/8"
	F32T8	48-3/8"

2	F14T8	30-3/8"
	F15T8	36-3/8"
	F17T8	48-3/8"
	F25T8	72-3/8"
	F32T8	96-3/8"



LUMINAIRES ORDERED WITH A SWITCH AND CORD ARE EQUIPPED WITH A ROCKER SWITCH AND A 3 WIRE CORD WITH A GROUNDING PLUG

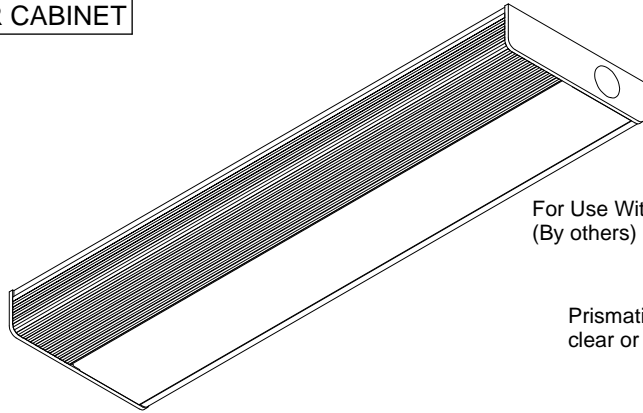
(2) OBOUNDED MOUNTING HOLES
.187 WIDE X .375 OAL
TYP. 1-1/2" FROM EA. END
OF FIXTURE.



VIEW OF LUMINAIRE WITH
DIFFUSER REMOVED

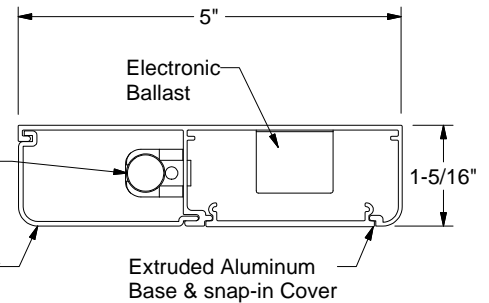
BACK TO
UNDER CABINET

Type: _____



For Use With T5 Lamp
(By others)

Prismatic lens either
clear or co-molded

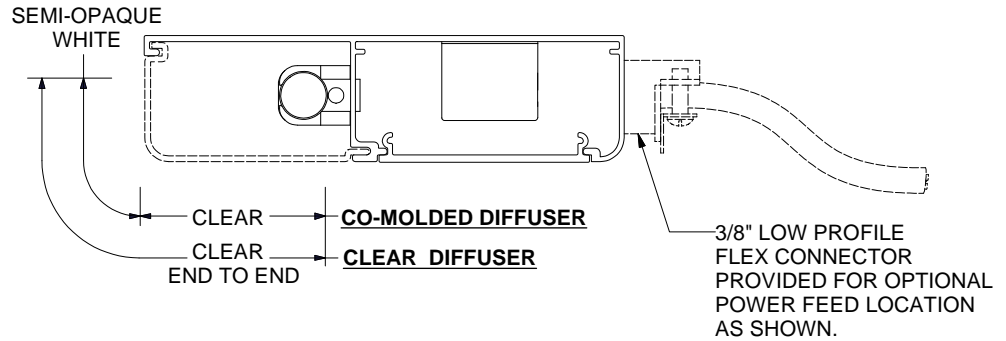


SPECIFICATIONS



- White powder coat or satin anodized aluminum finish is standard.
- Custom finishes available upon request.
- Extruded 6063T-5 aluminum base and cover with .060 nominal wall thickness.
- High impact prismatic, die formed, acrylic lenses are available in clear or co-molded.
- Co-molded lens have a semi-opaque front for high visual comfort.
- Electronic, high power factor, instant start, 120 volt ballast is standard.
- Low 1-5/16" profile allows placement in shallow locations.
- Die formed .125" end caps with no visible fasteners.
- Luminaires are provided in hardwired configuration by default (including through wires), but are available with cords.
- Hardwired fixtures are shipped with feed end caps. For continuous row mounting, simply remove end caps where luminaires meet, and use the internal coupler provided to make a seamless link.
- All units are UL & CUL LISTED damp locations
- Available for use with a wide variety of T5 lamp types.
See lamp chart for selection and lengths.
- The factory will be happy to discuss all of your special requests.

How to build a Part Number	Product Series	Quantity of inline T5 lamps	Lamp Code	Lens Type	Finish	Standard Options Suffix Part # as required in the sequence below .
Part Number Format	12	1	6T5	0	0	
Choices	12	See lamp chart for luminaire lengths. 1 or 2 lamps are standard.	6T5 8T5 13T5 14T5 21T5 28T5 35T5	0= Prismatic Clear 1= Co-Molded	0= Satin 3= White	WC (6') White 3-wire cord & plug (18ga SVT) GC (6') Gray 3-wire cord & plug (18ga SVT) SW Factory wired rocker switch F Factory wired fuse (3A) GCO Factory wired Grounded Convenience Outlet (15A) 277 277 Volt Electronic Ballast

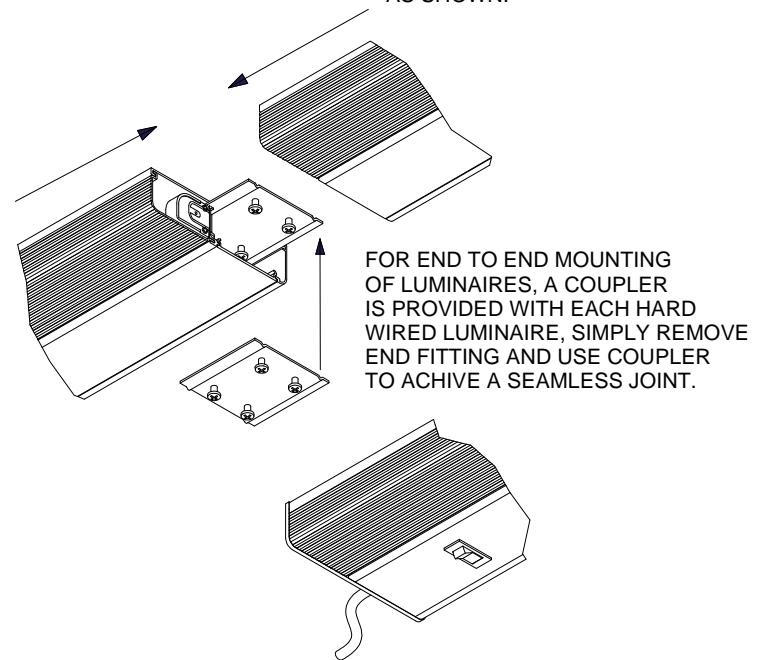


**12 Series T5
Luminaire Length Chart**

Lamp Quantity	Lamp Type	Luminaire Length (Includes end caps)
---------------	-----------	--------------------------------------

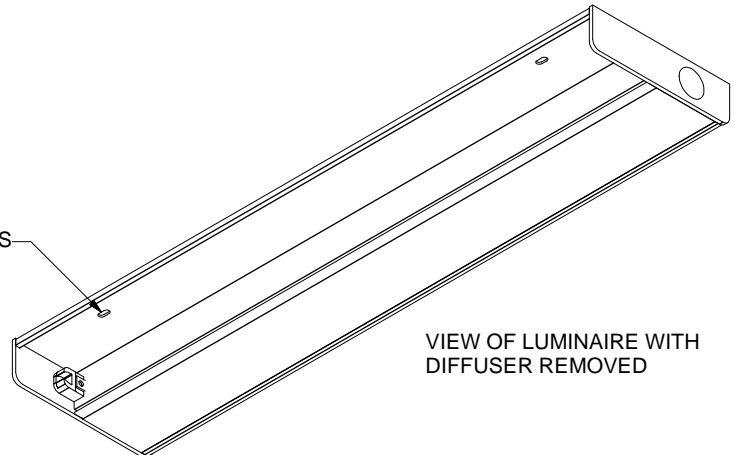
1	F6T5	9-3/8"
	F8T5	12-3/8"
	F13T5	21-3/8"
	F14T5	22-5/8"
	F21T5	34-7/16"
	F28T5	46-1/4"
	F35T5	58-1/8"

2	F6T5	18-1/2"
	F8T5	24-1/2"
	F13T5	42-1/2"
	F14T5	45"
	F21T5	68-5/8"
	F28T5	92-1/4"
F35T5	116"	



LUMINAIRES ORDERED WITH A SWITCH AND CORD ARE EQUIPPED WITH A ROCKER SWITCH AND A 3 WIRE CORD WITH GROUNDING PLUG.

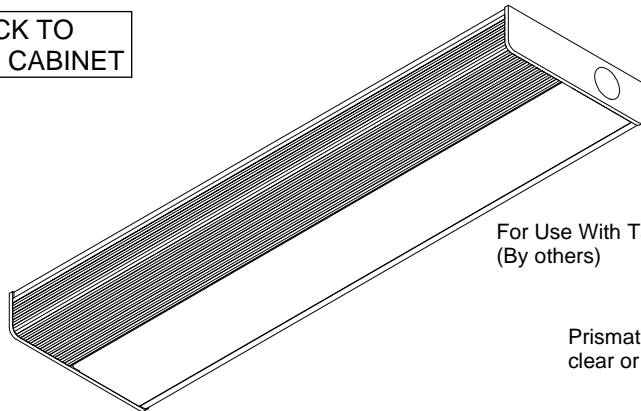
(2) OBOUNDED MOUNTING HOLES
.187 WIDE X .375 OAL
TYP. 1-1/2" FROM EA. END
OF FIXTURE.



VIEW OF LUMINAIRE WITH
DIFFUSER REMOVED



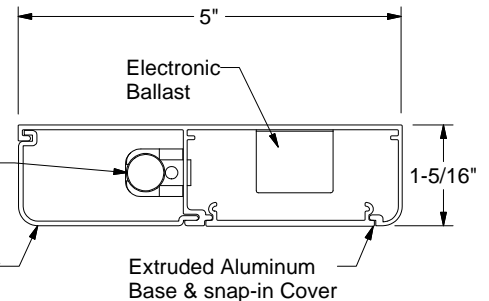
BACK TO
UNDER CABINET



For Use With T5 HO Lamp
(By others)

Prismatic lens either
clear or co-molded

Type: _____



SPECIFICATIONS



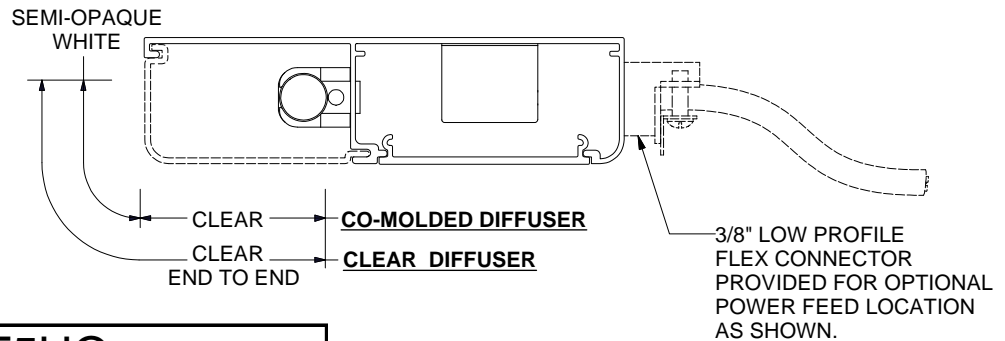
- White powder coat or satin anodized aluminum finish is standard.
- Custom finishes available upon request.
- Extruded 6063T-5 aluminum base and cover with .060 nominal wall thickness.
- High impact prismatic, die formed, acrylic lenses are available in clear or co-molded.
- Co-molded lens have a semi-opaque front for high visual comfort.
- Electronic, high power factor, instant start, 120 volt ballast is standard.
- Low 1-5/16" profile allows placement in shallow locations.
- Die formed .125" end caps with no visible fasteners.
- Luminaires are provided in hardwired configuration by default (including through wires), but are available with cords.
- Hardwired fixtures are shipped with feed end caps. For continuous row mounting, simply remove end caps where luminaires meet, and use the internal coupler (provided) to make a seamless link.
- All units are UL & CUL LISTED damp locations.
- Available for use with a wide variety of T5-HO lamp types.

See lamp chart for selection and lengths.

- The factory will be happy to discuss all of your special requests.

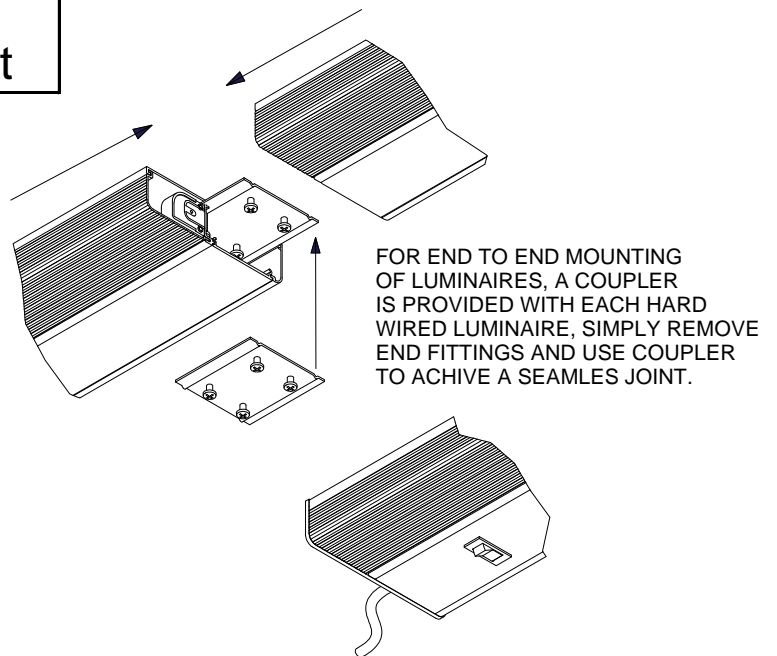
NOTE: T5HO Lamps are extremely bright. Recommended only for installations where glare is not considered a potential issue.

How to build a Part Number	Product Series	Quantity of inline T5HO lamps	Lamp Code	Lens Type	Finish	Standard Options Suffix Part # as required in the sequence below .
Part Number Format	12	1	24T5HO	0	0	
Choices	12	See lamp chart for luminaire lengths. 1 or 2 lamps are standard.	24T5HO 39T5HO 54T5HO	0= Prismatic Clear 1= Co-Molded	0= Satin 3= White	WC (6') White 3-w ire cord & plug (18ga SVT) GC (6') Gray 3-w ire cord & plug (18ga SVT) SW Factory w ired rocker sw itch F Factory w ired fuse (3A) GCO Factory w ired Grounded Convenience Outlet (15A) 277 277 Volt Electronic Ballast



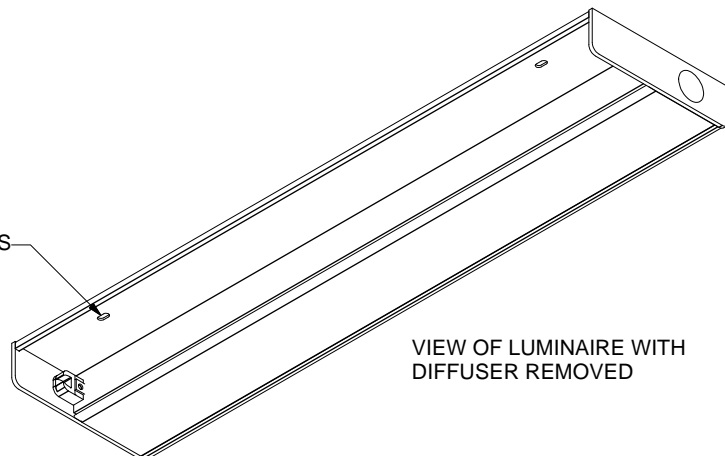
12 Series T5HO
Luminaire Length Chart

Lamp Quantity	Lamp Type	Luminaire Length (Includes end caps)
1	F24T5HO	22-5/8"
	F39T5HO	34-7/16"
	F54T5HO	46-1/4"
2	F24T5HO	45"
	F39T5HO	68-5/8"
	F54T5HO	92-1/4"



LUMINAIRES ORDERED WITH A SWITCH AND CORD ARE EQUIPPED WITH A ROCKER SWITCH AND A 3 WIRE CORD WITH A GROUNDING PLUG

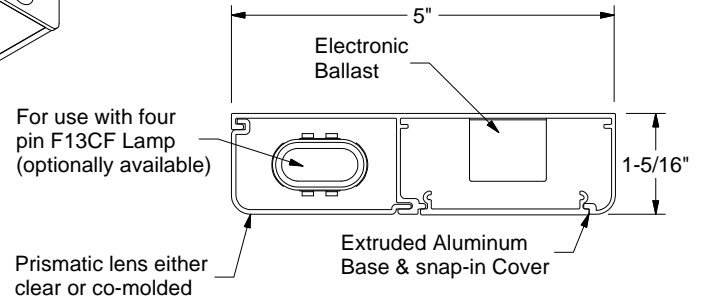
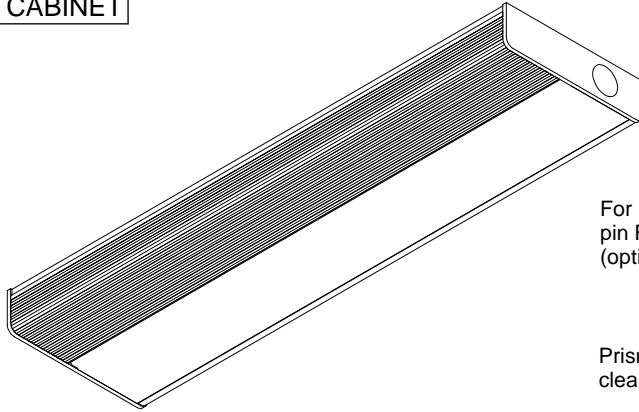
(2) OBOUNDRY MOUNTING HOLES
.187 WIDE X .375 OAL
TYP. 1-1/2" FROM EA. END
OF FIXTURE.



VIEW OF LUMINAIRE WITH
DIFFUSER REMOVED

BACK TO
UNDER CABINET

Type: _____



SPECIFICATIONS

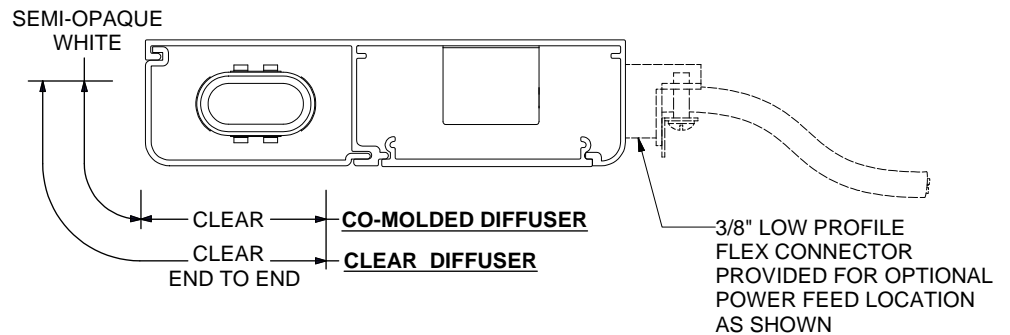


- White powder coat or satin anodized aluminum finish is standard.
- Custom finishes available upon request.
- Extruded 6063T-5 aluminum base and cover with .060 nominal wall thickness.
- High impact prismatic, die formed, acrylic lenses are available in clear or co-molded.
- Co-molded lens have a semi-opaque front for high visual comfort.
- Electronic, high power factor, instant start, 120 volt ballast is standard.
- Low 1-5/16" profile allows placement in shallow locations.
- Die formed .125" end caps with no visible fasteners.
- Luminaires are provided in hardwired configuration by default (including through wires), but are available with cords.
- Hardwired fixtures are shipped with feed end caps. For continuous row mounting, simply remove end caps where luminaires meet, and use the internal coupler (provided) to make a seamless link.
- All units are UL & CUL LISTED damp locations.
- The factory will be happy to discuss all of your special requests.
- For use with 13watt four pin 2GX7 base lamps.

See lamp chart for luminaire lengths.

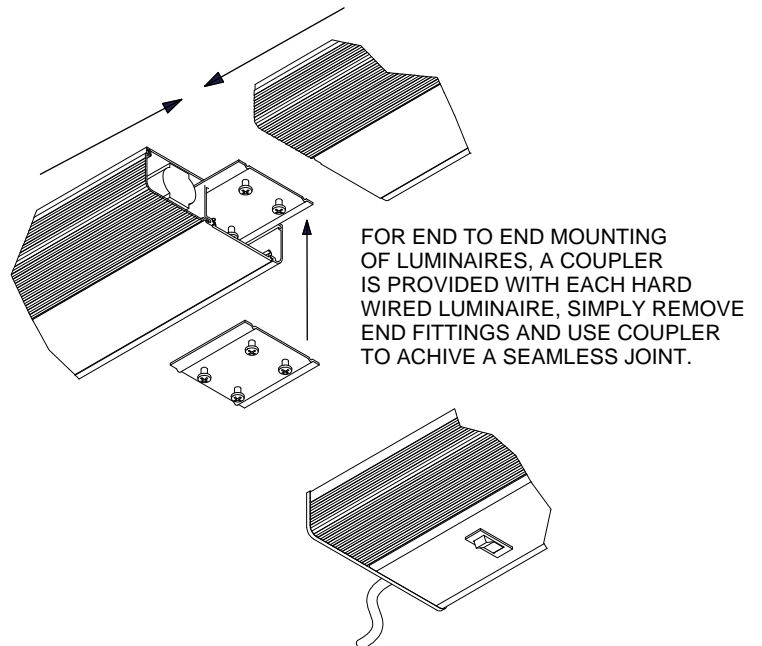
* If ordered with lamps, 3500k color temp. is standard, other lamp colors may be available.

How to build a Part Number	Product Series	Quantity of CFT13W/2GX7 lamps	Lamp Code	Lens Type	Finish	Standard Options Suffix Part # as required in the sequence below .
Part Number Format	12	1	CFT13W/2GX7	0	0	
Choices	12	See lamp chart for luminaire lengths. 1, 2 or 3 lamps are standard.	CFT13W/2GX7	0= Prismatic Clear 1= Co-Molded	0= Satin 3= White	-WC (6') White 3-w ire cord & plug (18ga SVT) -GC (6') Gray 3-w ire cord & plug (18ga SVT) -SW Factory w ired rocker sw itch -F Factory w ired fuse (3A) -GCO Factory w ired Grounded Convenience Outlet (15A) -35K Lamps included



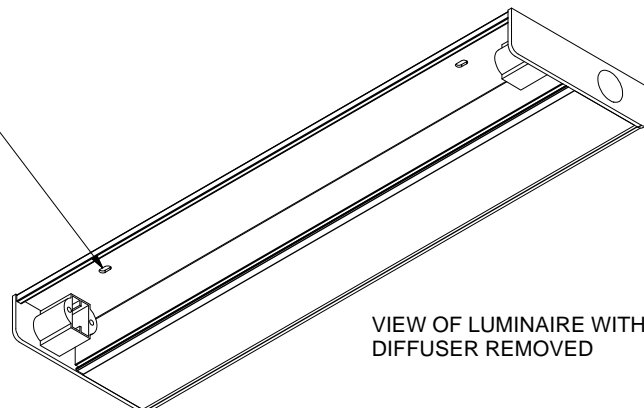
**12 Series CFT13W/GX23
Luminaire Length Chart**

Lamp Quantity	Lamp Type	Luminaire Length (Includes end caps)
1	CFT13W/2GX7	9-1/4"
2	CFT13W/2GX7	18-1/4"
3	CFT13W/2GX7	27-1/4"



LUMINAIRES ORDERED WITH A SWITCH AND CORD ARE EQUIPPED WITH A ROCKER SWITCH AND A 3 WIRE CORD WITH A GROUNDING PLUG

(2) OBOUNDR MOUNTING HOLES
.187 WIDE X .375 OAL TYP.
2-1/2" FROM EA. END OF FIXTURE



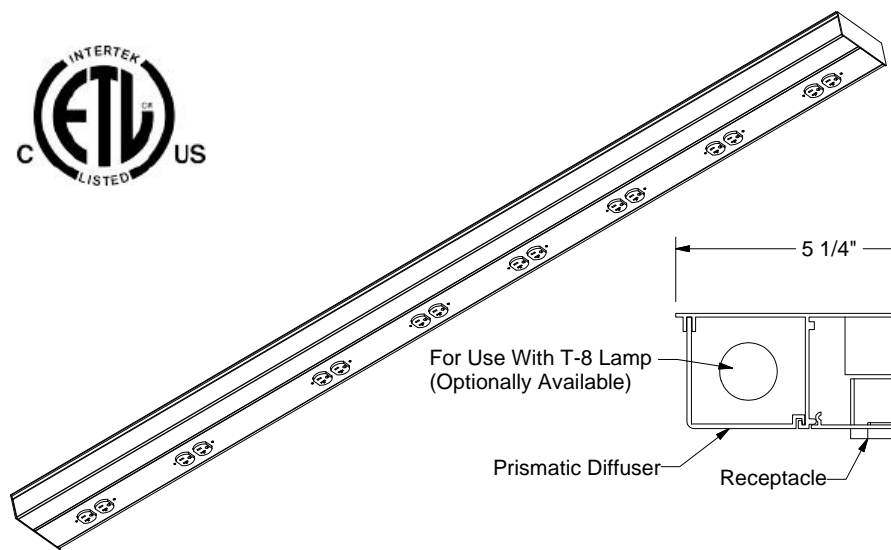
VIEW OF LUMINAIRE WITH
DIFFUSER REMOVED



AIREY-THOMPSON™
Manufacturing Quality Luminaires

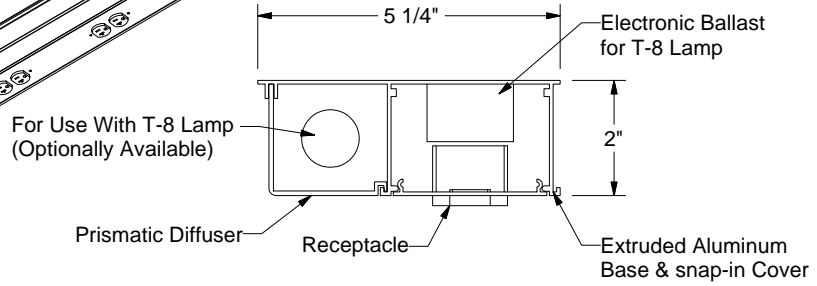
35R SERIES

SINGLE SIDED UNDER SHELF LUMINAIRE
LINEAR T-8 LAMPS
UNDER SHELF LUMINAIRE WITH DUPLEX RECEPTACLES



Type: _____

BACK TO
UNDER CABINET



SPECIFICATIONS

- Standard receptacle layouts shown in chart below, custom layouts available upon request.
- Standard or custom wiring patterns available, including switching.
- Standard lengths are 2', 3', 4', 6' & 8'. Custom lengths also available.
- Extruded 6063T-5 aluminum base and cover with .060 nominal wall thickness.
- Satin anodized aluminum finish is standard, custom finishes available upon request.
- Clear prismatic polycarbonate diffusers standard, Co-Molded diffuser available.
- Standard receptacle - Specification Grade NEMA 5-20R grey duplex.
- Custom receptacle options available upon request.
- Optional 'Panel & Circuit' identification at each receptacle available.
- All units are provided with (1) coupling for continuous runs, and (2) removeable ends.
- All units are ETL LISTED.
- Electronic, high power factor, instant start, 120 volt ballast is standard.

* If ordered with lamps, 4100k color temp. is standard, other lamp colors may be available.

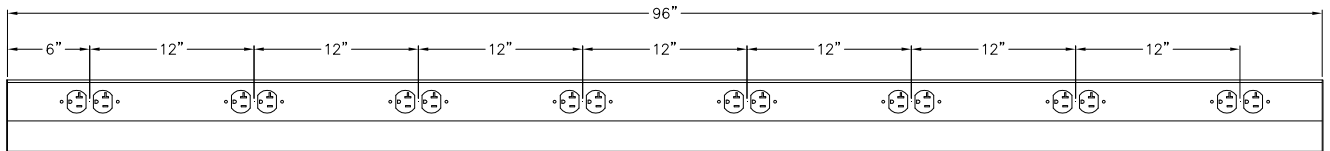
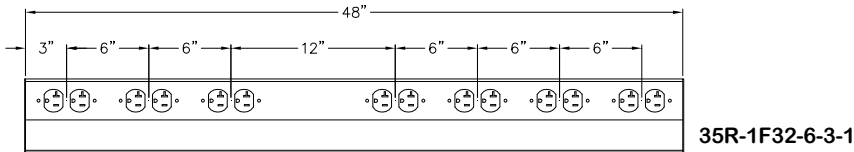
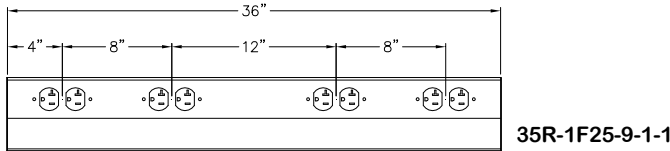
How to build a Part Number	Product Series	Quantity and Type, of T8 lamps	Nominal Receptacle spacing in inches	Number of Circuits	Diffuser
----------------------------	----------------	--------------------------------	--------------------------------------	--------------------	----------

Part Number Format	35R-	1F32T8	9	3	1
--------------------	------	--------	---	---	---

Standard Choices	Product Series	Quantity and Type, of T8 lamps	Nominal Receptacle spacing in inches	Number of Circuits	Diffuser
OAL Notes: (add 1/16" per end Cap) 1F17 = 24" 1F25 = 36", 2F25 = 72" 1F32 = 48", 2F32 = 96"	35R-	1F17T8	6, 9 OR 12	1 = Single Circuit	1 = Clear
		1F25T8	(Each cover to have one	2 = Double, Alternating	2 = Co-Molded
		1F32T8	12" blank spot for ballast clearance)	3 = Three phase, Alternating	
		2F25T8		(see Wiring Patterns blocks)	
		2F32T8			

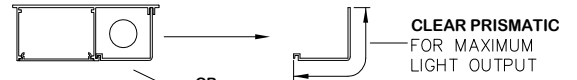


SAMPLES OF STANDARD RECEPTACLE LAYOUTS

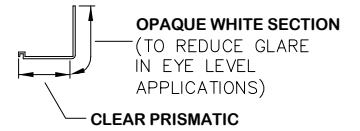


AVAILABLE DIFFUSERS

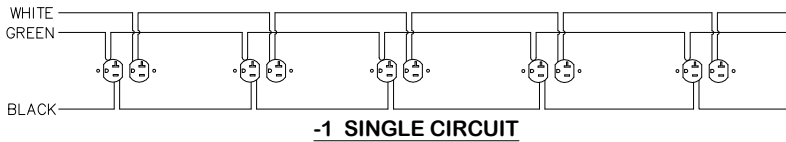
STANDARD DIFFUSER



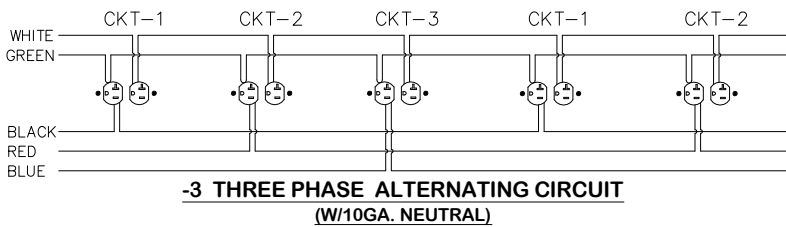
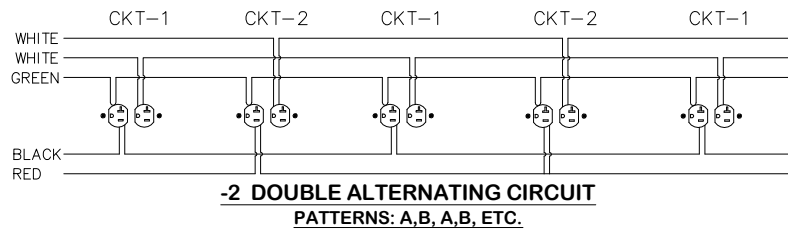
OPTIONAL CO-MOLDED DIFFUSER



STANDARD WIRING PATTERNS



MATCHING HOT & NEUTRAL LEADS TAGGED AT EACH END



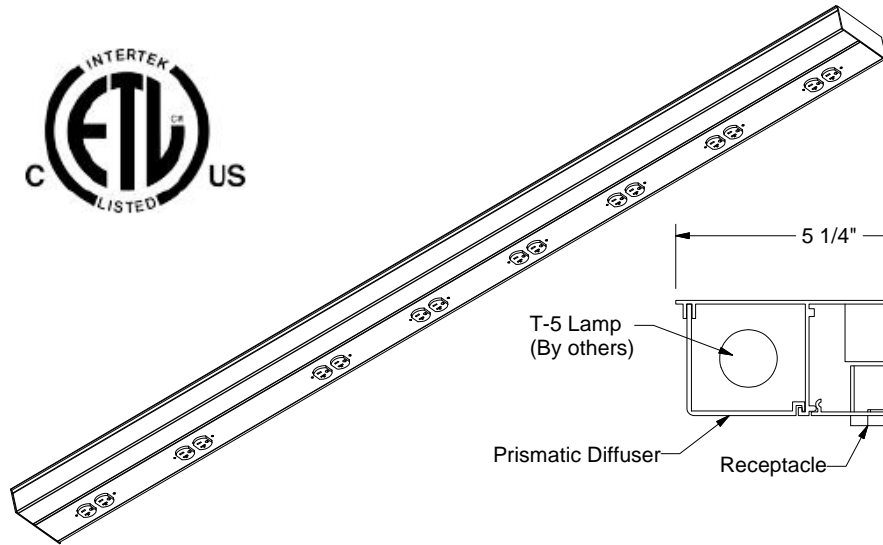
NOTE: IT IS RECOMENDED THAT ALL UNITS CONNECTED TOGETHER SHARE A COMMON WIRING PATTERN. THROUGH WIRES FOR THE LIGHTING BALLAST IS 12 GA. THHN. STANDARD RECEPTACLE CIRCUIT WIRING IS 12 GA. THHN UNLESS OTHERWISE NOTED.



AIREY-THOMPSON™
Manufacturing Quality Luminaires

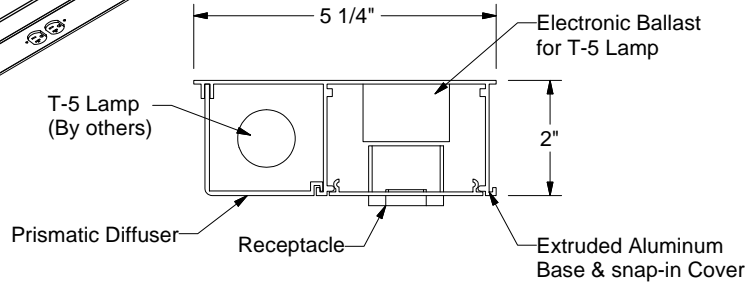
35R SERIES

SINGLE SIDED UNDER SHELF LUMINAIRE
LINEAR T-5 LAMPS
UNDER SHELF LUMINAIRE WITH DUPLEX RECEPTACLES



Type: _____

BACK TO
UNDER CABINET



SPECIFICATIONS

- Standard receptacle layouts shown in chart below, custom layouts available upon request.
- Standard or custom wiring patterns available, including switching.
- Standard lengths are listed below. Custom lengths also available.
- Extruded 6063T-5 aluminum base and cover with .060 nominal wall thickness.
- Satin anodized aluminum finish is standard, custom finishes available upon request.
- Clear prismatic polycarbonate diffusers standard, Co-Molded diffuser available.
- Standard receptacle - Specification Grade NEMA 5-20R grey duplex.
- Custom receptacle options available upon request.
- Optional 'Panel & Circuit' identification at each receptacle available.
- All units are provided with (1) coupling for continuous runs, and (2) removeable ends.
- All units are ETL LISTED.
- Electronic, high power factor, instant start, 120 volt ballast is standard.

How to build a Part Number	Product Series	Quantity and Type, of T-5 lamps	Nominal Receptacle spacing in inches	Number of Circuits	Diffuser
----------------------------	----------------	---------------------------------	--------------------------------------	--------------------	----------

Part Number Format	35R-	1F28T5	9	3	1
--------------------	------	--------	---	---	---

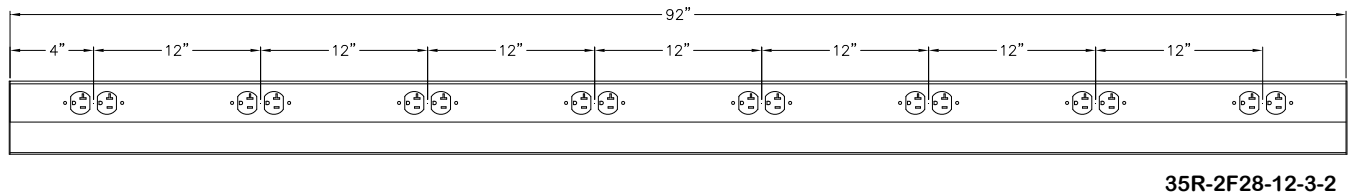
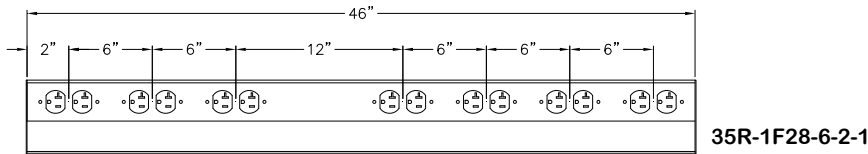
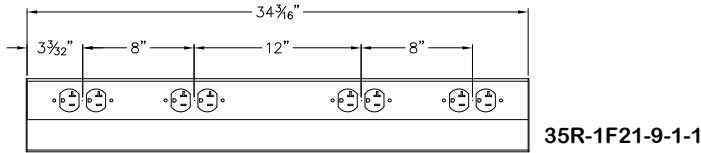
Standard Choices

OAL Notes:
(Add 1/16" per end Cap)
1F14 = 22 3/8", 2F14 = 44 3/4"
1F21 = 34 3/16", 2F21 = 68 3/8"
1F28 = 46", 2F28 = 92"

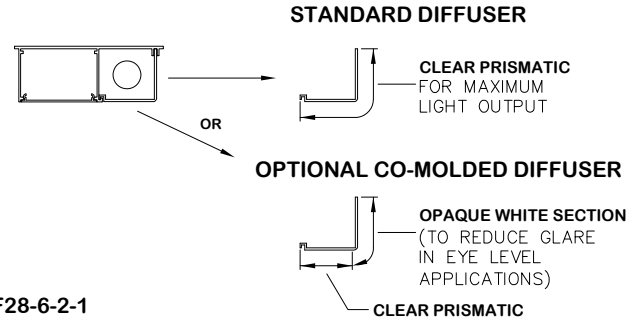
35R-	1F14T5 1F21T5 1F28T5 2F14T5 2F21T5 2F28T5	6, 9 OR 12 (Each cover to have one 12" blank spot for ballast clearance)	1 = Single Circuit 2 = Double, Alternating 3 = Three phase, Alternating (see Wiring Patterns blocks)	1 = Clear 2 = Co-Molded
------	--	---	---	----------------------------



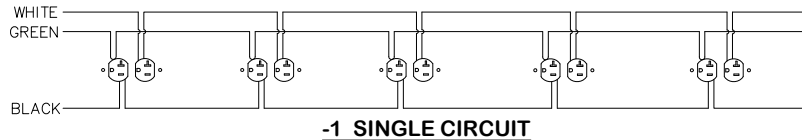
SAMPLES OF STANDARD RECEPTACLE LAYOUTS



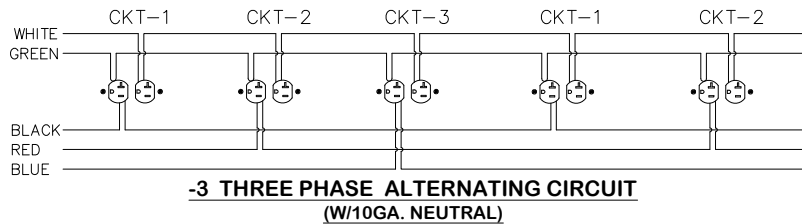
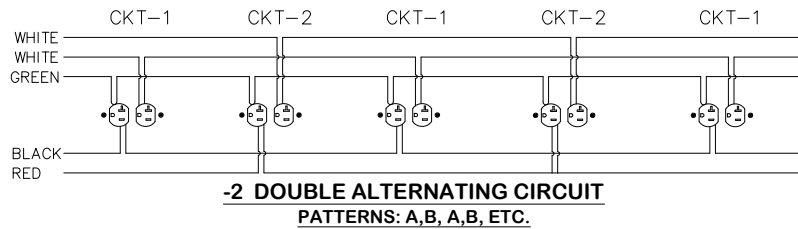
AVAILABLE DIFFUSERS



STANDARD WIRING PATTERNS



MATCHING HOT & NEUTRAL LEADS TAGGED AT EACH END



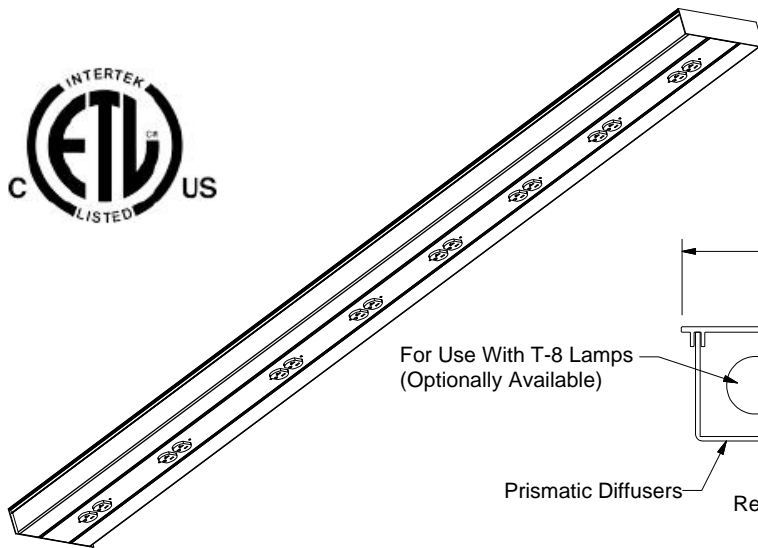
NOTE: IT IS RECOMENDED THAT ALL UNITS CONNECTED TOGETHER SHARE A COMMON WIRING PATTERN.
THROUGH WIRES FOR THE LIGHTING BALLAST IS 12 GA. THHN.
STANDARD RECEPTACLE CIRCUIT WIRING IS 12 GA. THHN UNLESS OTHERWISE NOTED.



AIREY-THOMPSON™
Manufacturing Quality Luminaires

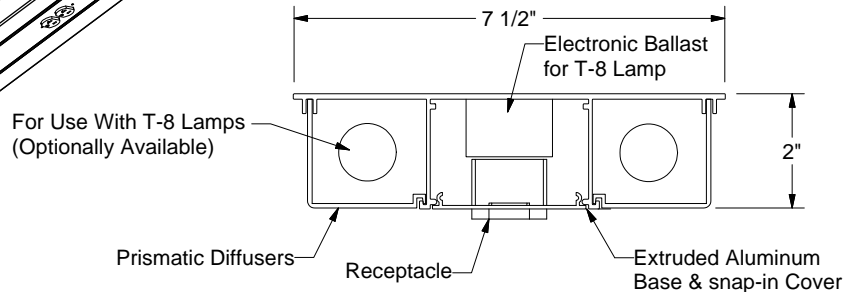
37R SERIES

DOUBLE SIDED UNDER SHELF LUMINAIRE
LINEAR T-8 LAMPS
UNDER SHELF LUMINAIRE WITH DUPLEX RECEPTACLES



Type: _____

BACK TO
UNDER CABINET



SPECIFICATIONS

- Standard receptacle layouts shown in chart below, custom layouts available upon request.
- Standard or custom wiring patterns available, including switching.
- Standard lengths are 2', 3', 4', 6' & 8'. Custom lengths also available.
- Extruded 6063T-5 aluminum base and cover with .060 nominal wall thickness.
- Satin anodized aluminum finish is standard, custom finishes available upon request.
- Clear prismatic polycarbonate diffusers standard, Co-Molded diffuser available.
- Standard receptacle - Specification Grade NEMA 5-20R grey duplex.
- Custom receptacle options available upon request.
- Optional 'Panel & Circuit' identification at each receptacle available.
- All units are provided with (1) coupling for continuous runs, and (2) removeable ends.
- All units are ETL LISTED.
- Electronic, high power factor, instant start, 120 volt ballast is standard.
- * If ordered with lamps, 4100k color temp. is standard, other lamp colors may be available.

How to build a Part Number	Product Series	Quantity and Type, of T8 lamps	Nominal Receptacle spacing in inches	Number of Circuits	Diffuser
Part Number Format	37R-	2F32T8	9	3	1
Standard Choices	37R-	2F17T8 2F25T8 2F32T8 4F25T8 4F32T8	6, 9 OR 12 (Each cover to have one 12" blank for ballast clearance)	1 = Single Circuit 2 = Double, Alternating 3 = Three phase, Alternating (see Wiring Patterns blocks)	1 = Clear 2 = Co-Molded

OAL Notes:
 2F17 = 24"
 2F25 = 36", 4F25 = 72"
 2F32 = 48", 4F32 = 96"

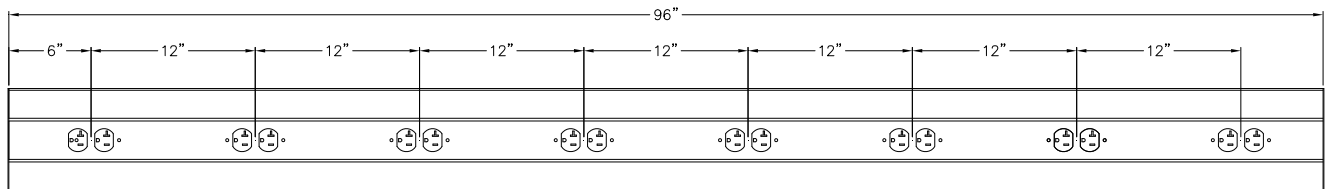
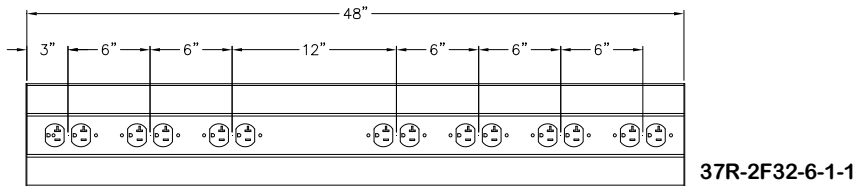
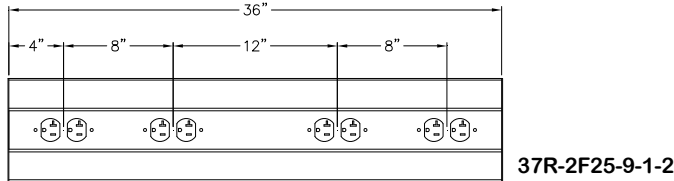


AIREY-THOMPSON™
Manufacturing Quality Luminaires

37R SERIES

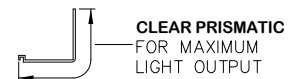
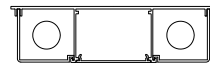
DOUBLE SIDED UNDER SHELF LUMINAIRE
LINEAR T-8 LAMPS
UNDER SHELF LUMINAIRE WITH DUPLEX RECEPTACLE

SAMPLES OF STANDARD RECEPTACLE LAYOUTS



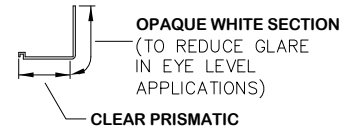
AVAILABLE DIFFUSERS

STANDARD DIFFUSER

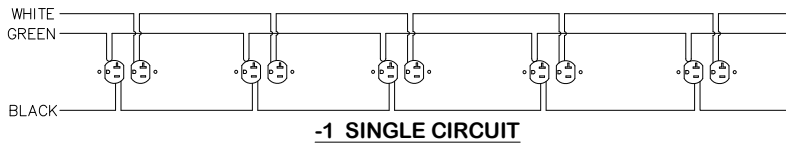


OR

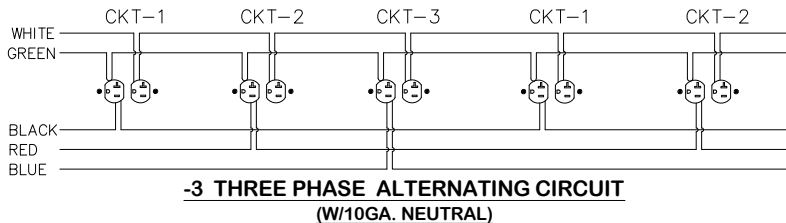
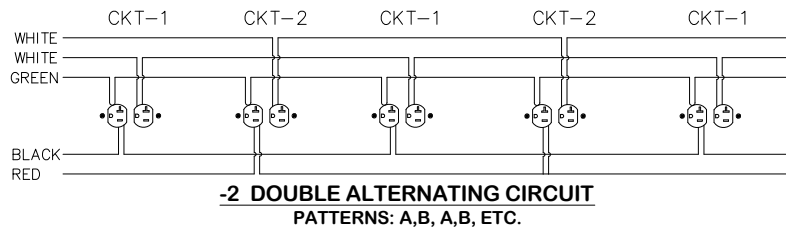
OPTIONAL CO-MOLDED DIFFUSER



STANDARD WIRING PATTERNS



MATCHING HOT & NEUTRAL LEADS TAGGED AT EACH END



**NOTE: IT IS RECOMENDED THAT ALL UNITS CONNECTED TOGETHER
SHARE A COMMON WIRING PATTERN.
THROUGH WIRES FOR THE LIGHTING BALLAST IS 12 GA. THHN.
STANDARD RECEPTACLE CIRCUIT WIRING IS 12 GA. THHN UNLESS OTHERWISE NOTED.**

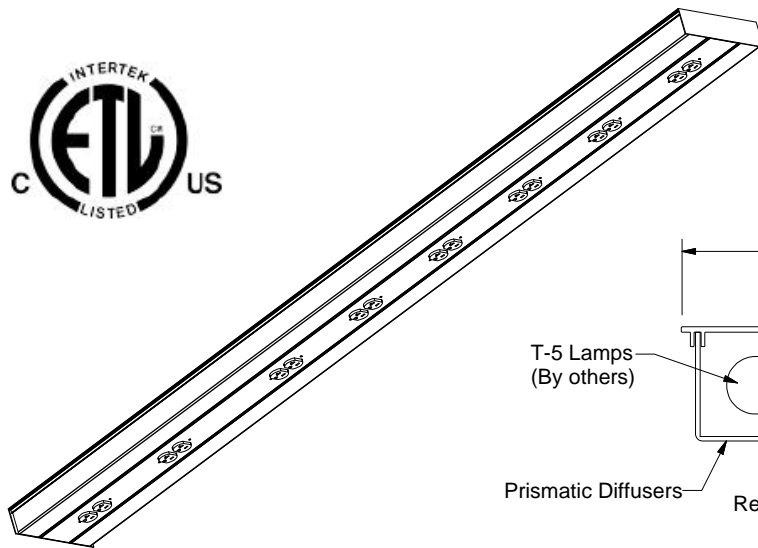


AIREY-THOMPSON™
Manufacturing Quality Luminaires

37R SERIES

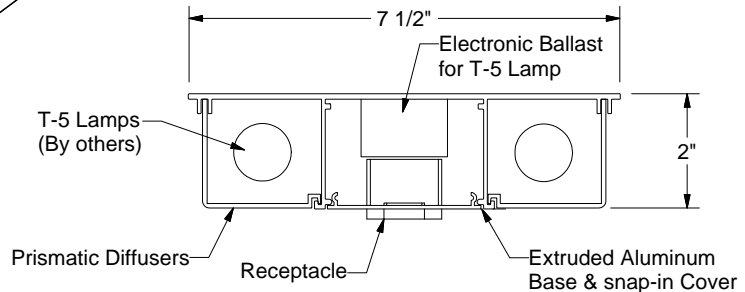
DOUBLE SIDED UNDER SHELF LUMINAIRE
LINEAR T-5 LAMPS

UNDER SHELF LUMINAIRE WITH DUPLEX RECEPTACLES



Type: _____

BACK TO
UNDER CABINET



SPECIFICATIONS

- Standard receptacle layouts shown in chart below, custom layouts available upon request.
- Standard or custom wiring patterns available, including switching.
- Standard lengths are listed below. Custom lengths also available.
- Extruded 6063T-5 aluminum base and cover with .060 nominal wall thickness.
- Satin anodized aluminum finish is standard, custom finishes available upon request.
- Clear prismatic polycarbonate diffusers standard, Co-Molded diffuser available.
- Standard receptacle - Specification Grade NEMA 5-20R grey duplex.
- Custom receptacle options available upon request.
- Optional 'Panel & Circuit' identification at each receptacle available.
- All units are provided with (1) coupling for continuous runs, and (2) removeable ends.
- All units are ETL LISTED.
- Electronic, high power factor, instant start, 120 volt ballast is standard.

How to build a Part Number	Product Series	Quantity and Type, of T-5 lamps	Nominal Receptacle spacing in inches	Number of Circuits	Diffuser
----------------------------	----------------	---------------------------------	--------------------------------------	--------------------	----------

Part Number Format	37R-	2F28T5	9	3	1
--------------------	------	--------	---	---	---

Standard Choices	37R-	2F14T5	6, 9 OR 12 (Each cover to have one 12" blank spot for ballast clearance)	1 = Single Circuit	1 = Clear
		2F21T5			
	2F28T5	3 = Three phase, Alternating (see Wiring Patterns blocks)			
	4F14T5				
	4F21T5				
	4F28T5				

OAL Notes:
(Add 1/16" per end Cap)
2F14 = 22 3/8", 4F14 = 44 3/4
2F21 = 34 3/16", 4F21 = 68 3/8"
2F28 = 46", 4F28 = 92"

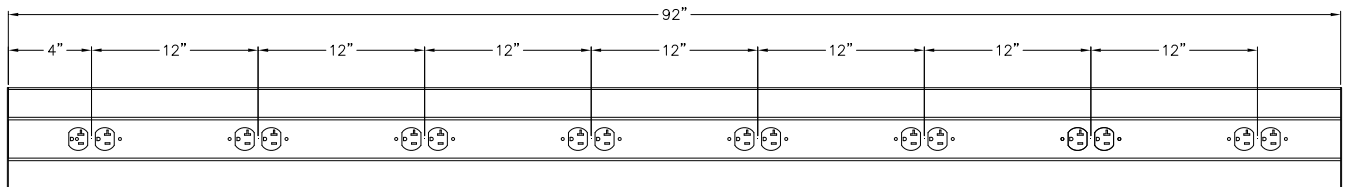
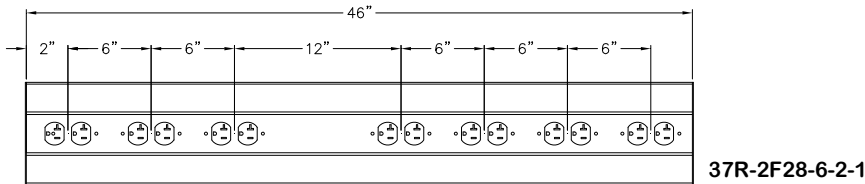
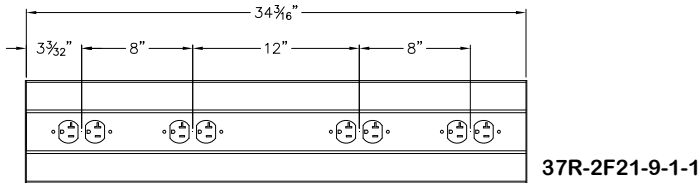


AIREY-THOMPSON™
Manufacturing Quality Luminaires

37R-SERIES

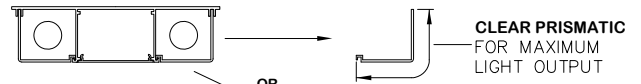
DOUBLE SIDED UNDER SHELF LUMINAIRE
LINEAR T-5 LAMPS
UNDER SHELF LUMINAIRE WITH DUPLEX RECEPTACLES

SAMPLES OF STANDARD RECEPTACLE LAYOUTS

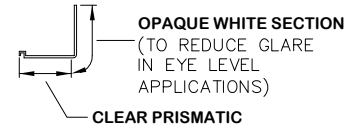


AVAILABLE DIFFUSERS

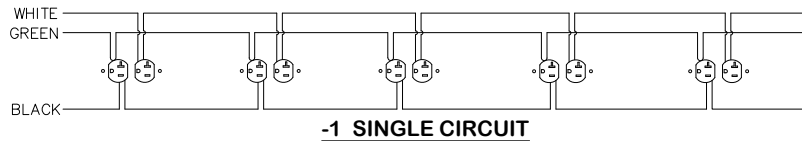
STANDARD DIFFUSER



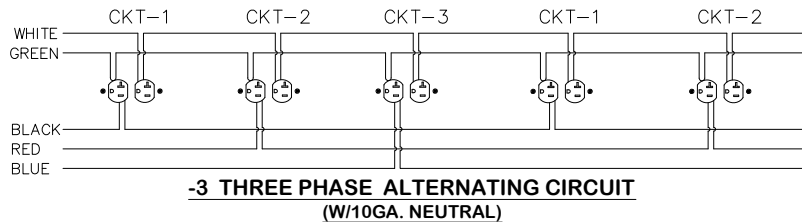
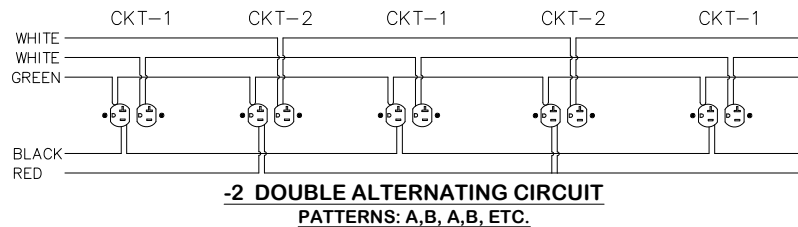
OPTIONAL CO-MOLDED DIFFUSER



STANDARD WIRING PATTERNS



MATCHING HOT & NEUTRAL LEADS TAGGED AT EACH END



NOTE: IT IS RECOMENDED THAT ALL UNITS CONNECTED TOGETHER SHARE A COMMON WIRING PATTERN.
THROUGH WIRES FOR THE LIGHTING BALLAST IS 12 GA. THHN.
STANDARD RECEPTACLE CIRCUIT WIRING IS 12 GA. THHN UNLESS OTHERWISE NOTED.